

Wall valve clockwise closing cold 1/2" - Chrome

CL.1

36 607 741



- without rosette
- handle Ø 60mm
- with cold marking
- head part with cut-to-length spindle and sleeve
- WRAS 2010066

Fits: CL.1, CYO

	Chrome	36 607 741-00
	Brushed Platinum	36 607 741-06
	Dark Chrome	36 607 741-19
	Brushed Durabronze (23kt Gold)	36 607 741-28
	Matte Black	36 607 741-33
	Brushed Champagne (22kt Gold)	36 607 741-46
	Champagne (22kt Gold)	36 607 741-47
	Brushed Dark Platinum	36 607 741-99

Required miscellaneous



Wall valve 1/2" -

35 607 970 90

- max. recess depth 145 mm
- min. recess depth 85 mm

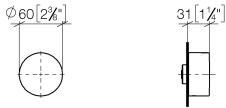


Wall valve clockwise closing cold 1/2" - Chrome

CL.1

36 607 741

mm [inches]



Codes & Standards

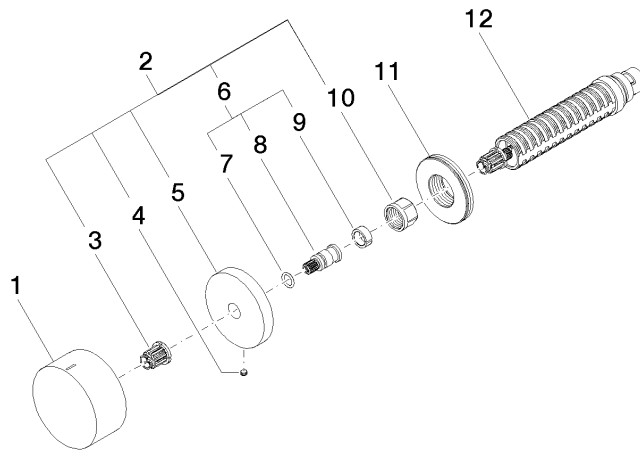
ASME A112.18.1	cUPC	DIN 4109	EN 200
ISO 3822	Scottish Water Byelaws	UK Water Supply Regulations	Ü-Zeichen

Certificates

IAPMO_4976	DVGW_DW-6501DN0	WRAS_2010	LGA_38	LGA_29
LGA_29				

36 607 741

Product version from 7/1/2023





Wall valve clockwise closing cold 1/2" - Chrome

CL.1

36 607 741

Spare parts list

Product version from 7/1/2023

No.	Item Number	Name	Quantity used	Delivery time
	09 20 74 020-00	handle (cold)	12	10