

Wall valve clockwise closing cold 1/2" - Brushed Champagne (22kt Gold)


36 607 741 Product version from 7/1/2023



- without rosette
- handle Ø 60mm
- with cold marking
- head part with cut-to-length spindle and sleeve
- WRAS

	Brushed Champagne (22kt Gold)	36 607 741-46
	Chrome	36 607 741-00
	Brushed Platinum	36 607 741-06
	Dark Chrome	36 607 741-19
	Brushed Durabronze (23kt Gold)	36 607 741-28
	Matte Black	36 607 741-33
	Champagne (22kt Gold)	36 607 741-47
	Brushed Dark Platinum	36 607 741-99

Required miscellaneous

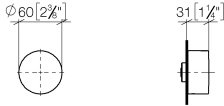
	<p>Wall valve 1/2" - 35 607 970 90</p> <ul style="list-style-type: none"> • min. recess depth mm • max. recess depth mm
---	--



Wall valve clockwise closing cold 1/2" - Brushed Champagne (22kt Gold)

36 607 741 Product version from 7/1/2023

mm [inches]



Codes & Standards

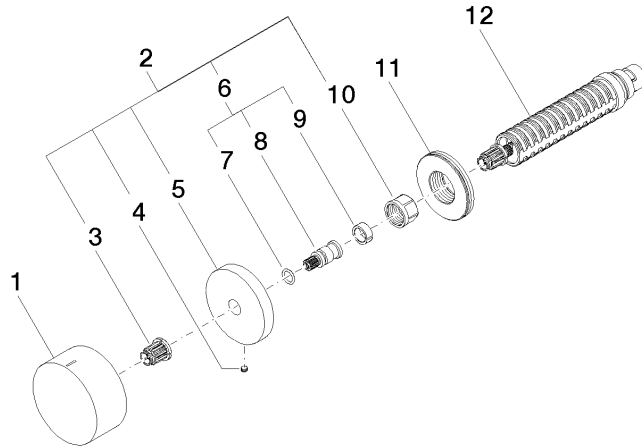
ASME A112.18.1	cUPC	DIN 4109	EN 200
ISO 3822	Scottish Water Byelaws	UK Water Supply Regulations	Ü-Zeichen

Certificates

DVGW_DW-6501DN0	LGA_38	LGA_29	WRAS_2010	IAPMO_4976 (
-----------------	--------	--------	-----------	--------------

Wall valve clockwise closing cold 1/2" - Brushed Champagne (22kt Gold)

36 607 741 Product version from 7/1/2023



Spare parts list

No.	Item Number	Name	Quantity used	Delivery time
1	09 20 74 020-46	handle (cold)	1	60
2	04 27 74 004 00-46	rosette	1	60
3	90 12 12 002 00 90	fixing cap	1	2
4	09 31 11 055 90	pin	1	2
5	09 27 74 004-46	rosette	1	60
6	04 29 06 020 00-00	spindle	1	10
7	90 14 10 060 00 90	seal	1	2
8	09 29 06 020-46	spindle	1	-
Spare part can no longer be ordered, please order the replacement item				
9	90 14 15 020 03 90	ring	1	2
10	90 23 30 023 00 90	nut	1	2
11	09 30 01 107 90	sleeve	1	2
12	90 90 03 143 00 90	top	1	2