

**MEM Wall valve clockwise closing 1/2" - Brushed Dark Platinum**

MEM


36 607 782 Product version from 10/14/2020



- rosette 60 x 60 mm
- head part with cut-to-length spindle and sleeve
- WRAS

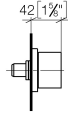
	Brushed Dark Platinum	36 607 782-99
	Chrome	36 607 782-00
	Brushed Platinum	36 607 782-06
	Platinum	36 607 782-08
	Dark Chrome	36 607 782-19
	Brushed Durabronze (23kt Gold)	36 607 782-28
	Brushed Champagne (22kt Gold)	36 607 782-46
	Champagne (22kt Gold)	36 607 782-47
	Brushed Chrome	36 607 782-93

**Required miscellaneous**

- |   |                          |               |
|---|--------------------------|---------------|
|  | <b>Wall valve 1/2" -</b> | 35 607 970 90 |
|   | •max. recess depth mm    |               |
|   | •min. recess depth mm    |               |

36 607 782 Product version from 10/14/2020

mm [inches]



**Codes & Standards**

DIN 4109

EN 1111

EN 200

ISO 3822

Scottish Water  
Byelaws

UK Water Supply  
Regulations

Ü-Zeichen

**Certificates**

DVGW\_DW-  
6501DN0

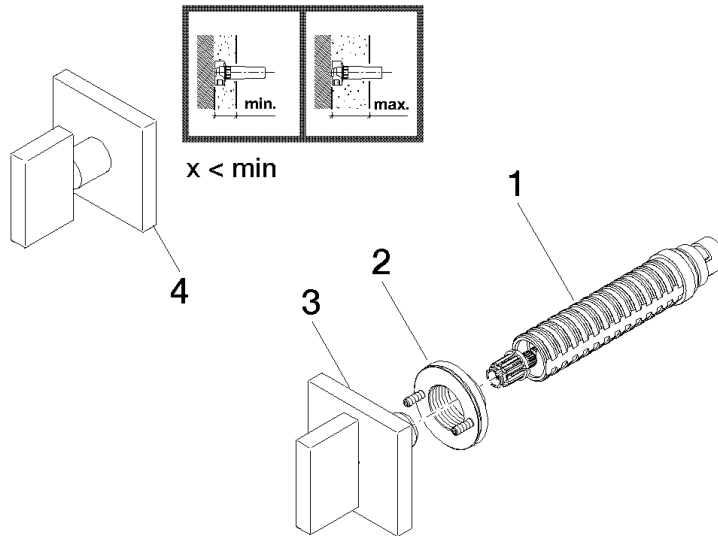
WRAS\_2011

LGA\_29

WRAS\_2010

DVGW\_DW-  
6512DN0

LGA\_29



Spare parts list

No.	Item Number	Name	Quantity used	Delivery time
1	90 90 03 143 00 90	top	1	2
2	90 21 02 108 00 90	disc	1	2
3	90 20 78 002 02-99	handle	1	30
4	90 20 78 002 01-99	handle	1	30