

36 607 819

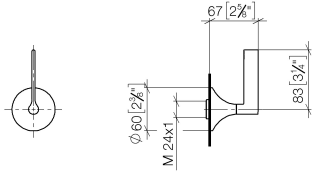


- rosette Ø 60 mm
- head part with cut-to-length spindle and sleeve
- WRAS 2011026, 2010066

	Dark Chrome	36 607 819-19
	Chrome	36 607 819-00
	Brushed Platinum	36 607 819-06
	Platinum	36 607 819-08
	Brushed Durabronze (23kt Gold)	36 607 819-28
	Brushed Bronze	36 607 819-42
	Brushed Champagne (22kt Gold)	36 607 819-46
	Champagne (22kt Gold)	36 607 819-47
	Brushed Dark Platinum	36 607 819-99

36 607 819

mm [inches]



Codes & Standards

DIN 4109

EN 1111

EN 200

ISO 3822

Scottish Water
Byelaws

UK Water Supply
Regulations

Ü-Zeichen

Certificates

DVGW_DW-
6501DN0

WRAS_2010

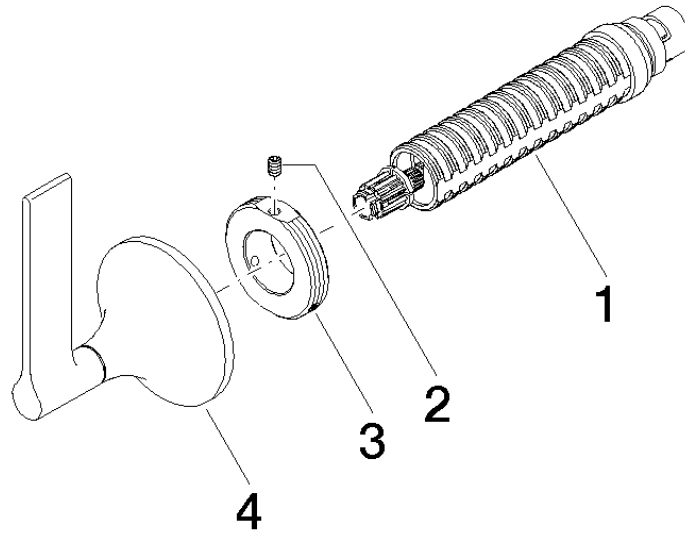
LGA_29

DVGW_DW-
6512DN0

WRAS_2011

36 607 819

Parts for other
finishes can be found
here: [Chrome](#)





VAIA Wall valve clockwise closing 1/2" - Dark Chrome

VAIA

36 607 819

Spare parts list