

36 712 809

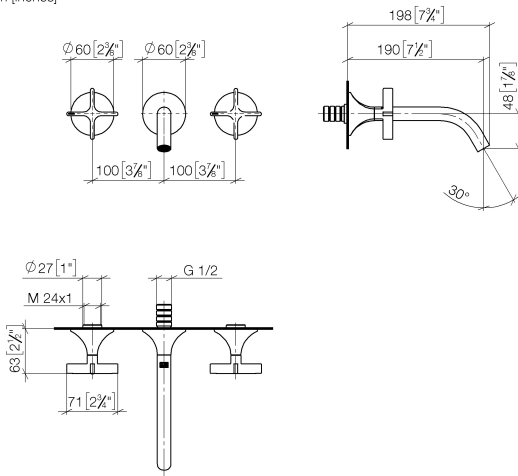


- 190mm projection
- fixed spout
- circular, air-enriched flow
- hole diameter valve 37 mm
- hole diameter spout 40 mm
- rosettes Ø 60 mm
- max. flow 5.7 l/min
- lead-free
- This product can help a building meet the requirements of Green Building Rating Systems, e.g. LEED®, BREEAM®, DGNB
- WRAS 2312073

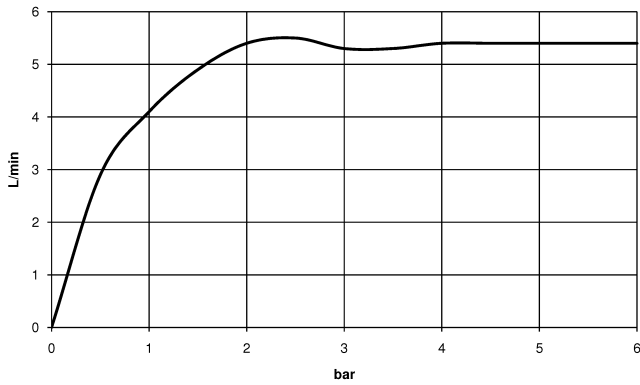
	Dark Chrome	36 712 809-19
	Chrome	36 712 809-00
	Brushed Platinum	36 712 809-06
	Platinum	36 712 809-08
	Brushed Durabronze (23kt Gold)	36 712 809-28
	Brushed Bronze	36 712 809-42
	Brushed Champagne (22kt Gold)	36 712 809-46
	Champagne (22kt Gold)	36 712 809-47
	Brushed Dark Platinum	36 712 809-99

36 712 809

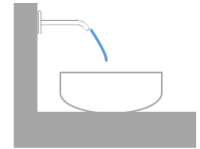
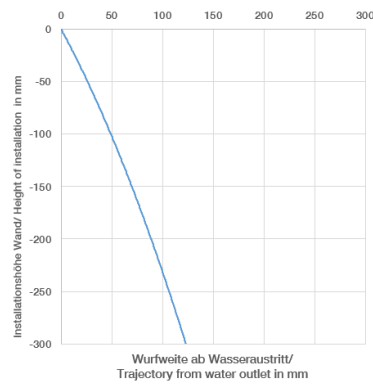
mm [inches]



Flow rate chart



Trajectory diagram



Codes & Standards

DIN 4109

ISO 3822

Scottish Water  
Byelaws

UK Water Supply  
Regulations

Ü-Zeichen



## VAIA Wall-mounted basin mixer without pop-up waste - Dark Chrome

---

VAIA

36 712 809

### Certificates

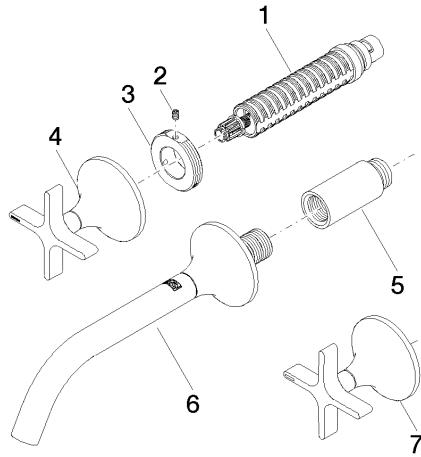
---

LGA\_29

WRAS\_2312

36 712 809

Parts for other  
finishes can be found  
here: [Chrome](#)





## VAIA Wall-mounted basin mixer without pop-up waste - Dark Chrome

---

VAIA

36 712 809

### **Spare parts list**