

VAIA Wall-mounted single-lever basin mixer without pop-up waste - Dark Chrome

36 860 809

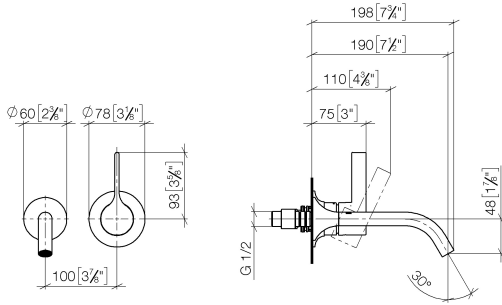


- 190mm projection
- fixed spout
- circular, air-enriched flow
- hole diameter spout 37 mm
- hole diameter single-lever mixer 57 mm
- rosette for single-lever mixer Ø 78mm
- rosette for spout Ø 60mm
- max. flow 5.7 l/min
- lead-free
- This product can help a building meet the requirements of Green Building Rating Systems, e.g. LEED®, BREEAM®, DGNB
- WRAS

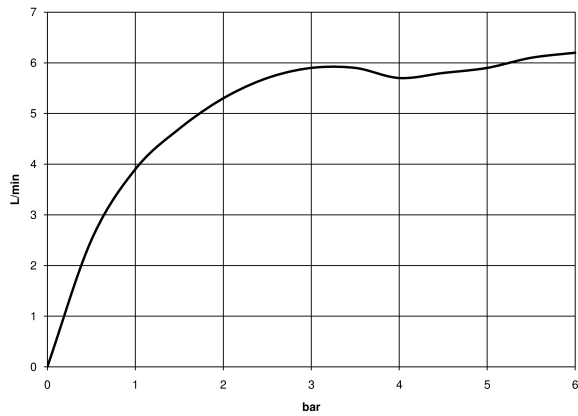
	Dark Chrome	36 860 809-19
	Chrome	36 860 809-00
	Brushed Platinum	36 860 809-06
	Platinum	36 860 809-08
	Brushed Durabronze (23kt Gold)	36 860 809-28
	Brushed Bronze	36 860 809-42
	Brushed Champagne (22kt Gold)	36 860 809-46
	Champagne (22kt Gold)	36 860 809-47
	Brushed Dark Platinum	36 860 809-99

VAIA Wall-mounted single-lever basin mixer without pop-up waste - Dark Chrome

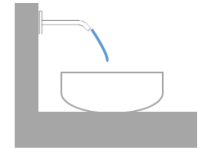
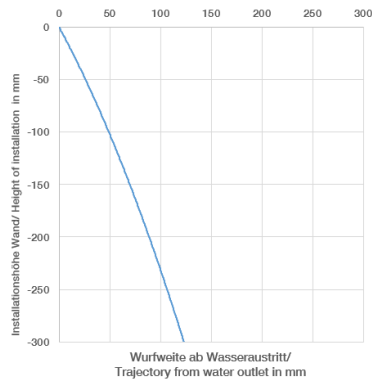
36 860 809
mm [inches]



Flow rate chart



Trajectory diagram



Codes & Standards

EN 817

Scottish Water
Byelaws

UK Water Supply
Regulations



VAIA Wall-mounted single-lever basin mixer without pop-up waste - Dark Chrome

36 860 809

Certificates

DVGW_DW-
6512DN0

WRAS_2107



VAIA Wall-mounted single-lever basin mixer without pop-up waste - Dark Chrome

36 860 809

Parts for other finishes can be found here: [Chrome](#)

