

## Single sink - Stainless Steel

---

38 450 003



- under-mounted
  - 450 x 400 mm
  - sink depth 175 mm
  - suitable for base units 500 mm
  - radius 12 mm
- Drain and overflow set not included in the scope of supply. See Required miscellaneous.**

Drain and overflow set not included in the scope of supply. See Required miscellaneous.

### Required miscellaneous

---



**Pop-up waste and overflow with electronic control - Stainless Steel** 10 410 003-85

- 3½" electronic drain valve (TouchFlow)

### Required miscellaneous

---



**Pop-up waste and overflow closable by hand - Stainless Steel** 10 400 003-85

- 3½" drain valve closable by hand

### Required miscellaneous

---



**Pop-up waste and overflow with knob - Stainless Steel** 10 405 003-85

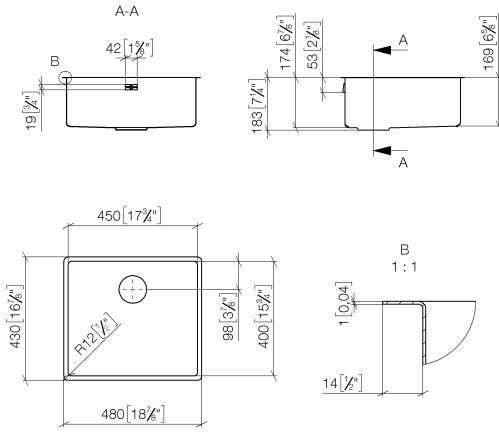
- 3½" strainer waste valve



# Single sink - Stainless Steel

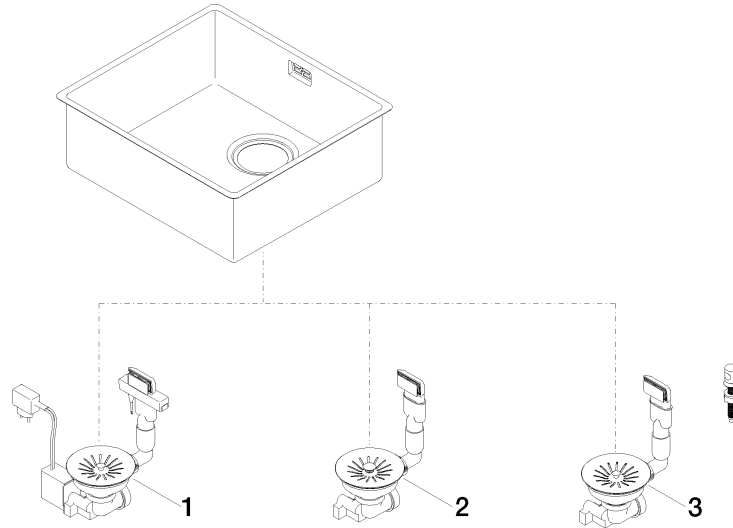
38 450 003

mm [inches]



# Single sink - Stainless Steel

38 450 003





## Single sink - Stainless Steel

---

38 450 003

### Spare parts list

No.	Item Number	Name	Quantity used	Delivery time
	10 410 003-85	Pop-up waste and overflow with electronic control - Stainless Steel	3	2