

AQUAMOON Rain panel - Matte White

41 620 979



- exposed trim parts
- Rain panel with 3 different flow modes
- AQUACIRCLE RAIN: Circular rain curtain, max. flow rate 12 l/min (at 3 bar)
- TEMPEST RAIN: Natural rain, max. flow rate 10 l/min (at 3 bar)
- Queen's Collar: rounded cascade, max. 24 l/min
- Matt white cover, RAL 9003
- Outer diameter 1240 mm, opening diameter 450 mm
- with anti-scale system
- Weight 22.5 kg
- Control elements not included among the items supplied

Ambient lighting

- LED colour temperature approx. 2700 K
- Bulbs protected against splashing water
- Technology: LED, not dimmable
- Provided by customer: Light switch

Environment

- Not suitable for use in a steam room.
- Not suitable for outdoor use.
- Not suitable for use in chlorinated or salty environments.
- Comply with the protection zone regulations as defined in DIN VDE 0100, Part 701 (IEC 60364-7-701).

Rain panel cover for adaptation to ceiling colour available in all RAL colours, price and delivery time on request

Rain panel cover for adaptation to ceiling colour available in all RAL colours, price and delivery time on request

Required miscellaneous

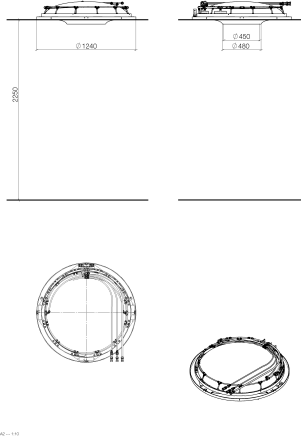


AQUAMOON Concealed ceiling installation box - 35 620 970 90

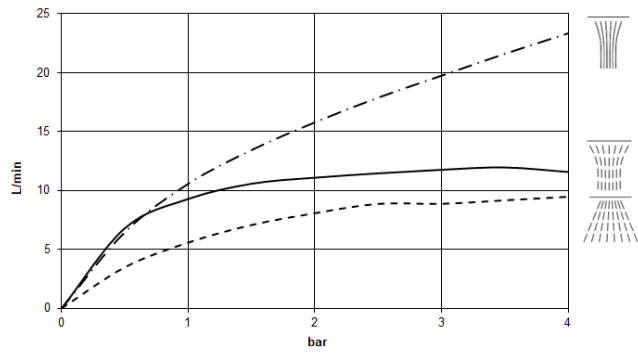
- Ceiling installation enclosure 1356 x 1356 x 290 mm
- concealed rough parts
- Opening diameter 1252 mm
- min. recess depth mm

AQUAMOON Rain panel - Matte White

41 620 979



Flow rate chart



Codes & Standards

DIN 4109

ISO 3822

Ü-Zeichen



AQUAMOON Rain panel - Matte White

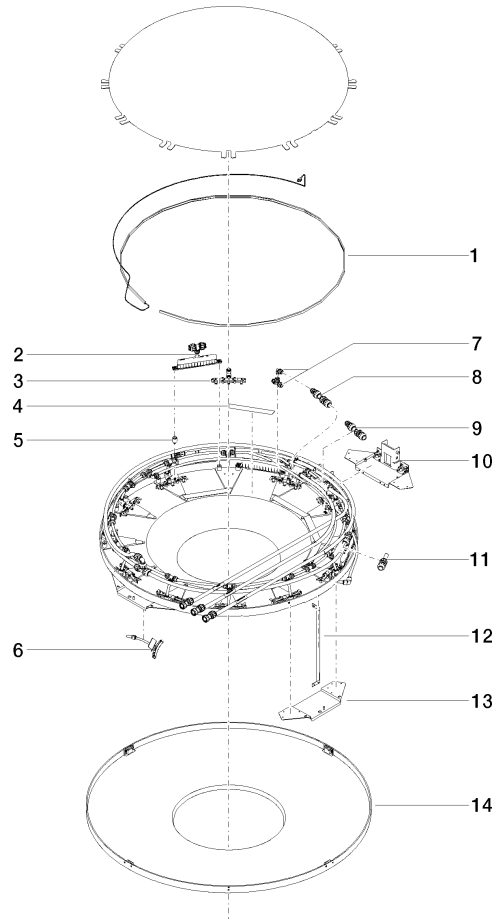
41 620 979

Certificates

LGA_29

AQUAMOON Rain panel - Matte White

41 620 979



Spare parts list

No.	Item Number	Name	Quantity used	Delivery time
1	90 10 01 183 00 90	lamp	1	2
2	90 17 09 058 00 90	jet module	5	2
3	90 17 09 056 00 90	jet module	12	2
4	90 17 20 221 00 90	holder	5	2
5	90 18 40 222 00 90	adaptor	24	2
6	90 17 09 057 00 90	jet module	12	2
7	90 24 04 321 00 90	threaded connector	1	2
8	90 24 04 346 00 90	connection AQUACIRCLE	1	2
9	90 24 04 314 00 90	connection TEMPEST	1	60
10	90 17 20 211 00 90	joint	1	2
11	90 24 04 314 01 90	connection QUEENSCOLLAR	1	2
12	90 17 20 217 00 90	holder	4	2
13	90 17 20 216 00 90	holder	3	2
14	90 11 02 325 00 90	cover	1	2