

83 060 892



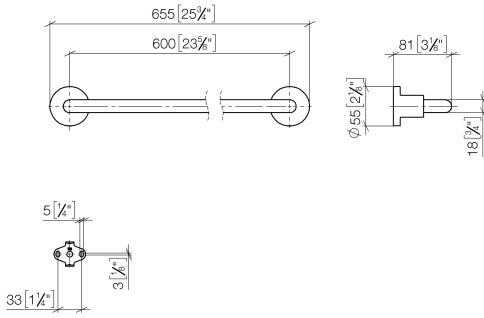
- gauge 600 mm
- width 655mm
- height 55 mm
- rosette Ø 55 mm
- 81mm projection

Fits TARA

	Dark Chrome	83 060 892-19
	Chrome	83 060 892-00
	Brushed Platinum	83 060 892-06
	Platinum	83 060 892-08
	Brushed Durabronze (23kt Gold)	83 060 892-28
	Matte Black	83 060 892-33
	Brushed Bronze	83 060 892-42
	Brushed Champagne (22kt Gold)	83 060 892-46
	Champagne (22kt Gold)	83 060 892-47
	Brushed Chrome	83 060 892-93
	Brushed Dark Platinum	83 060 892-99

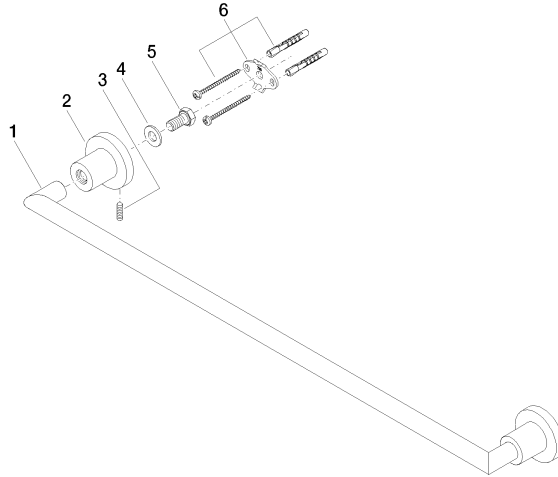
83 060 892

mm [inches]



83 060 892

Parts for other
finishes can be found
here: [Chrome](#)





Spare parts list