




EDITION PRO Dispenser wall model - Matte Black

83 435 626



- bottle made of crystal glass, matt
- width 60mm
- height 203 mm
- 250 ml bottle
- 100mm projection

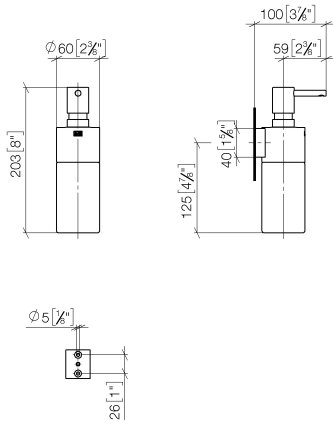
| | | |
|--|----------------|---------------|
|  | Matte Black | 83 435 626-33 |
|  | Chrome | 83 435 626-00 |
|  | Brushed Chrome | 83 435 626-93 |



EDITION PRO Dispenser wall model - Matte Black

83 435 626

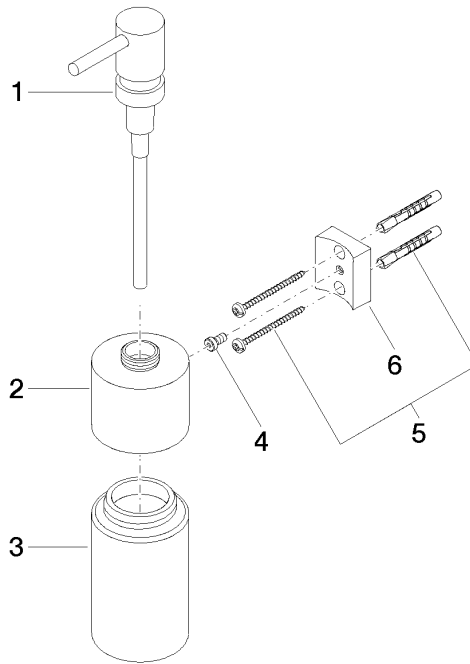
mm [inches]



EDITION PRO Dispenser wall model - Matte Black

83 435 626

Parts for other
finishes can be found
here: [Chrome](#)





EDITION PRO Dispenser wall model - Matte Black

83 435 626

Spare parts list

| No. | Item Number | Name | Quantity used | Delivery time |
|-----|--------------------|-----------|---------------|---------------|
| | 90 10 10 535 00-33 | dispenser | 6 | 30 |