




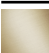


CL.1 Tissue holder without cover - Chrome

CL.1

83 500 705

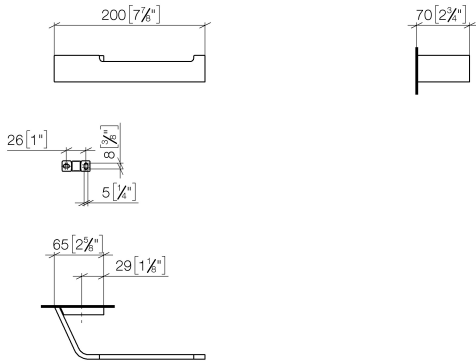


- width 200mm
- height 35 mm
- 70mm projection

	Chrome	83 500 705-00
	Brushed Platinum	83 500 705-06
	Dark Chrome	83 500 705-19
	Brushed Champagne (22kt Gold)	83 500 705-46
	Champagne (22kt Gold)	83 500 705-47
	Brushed Dark Platinum	83 500 705-99

83 500 705

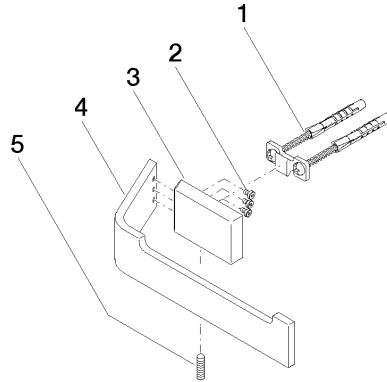
mm [inches]



83 500 705

Product version from 3/9/2015

Parts for other
finishes can be found
here: Brushed
Platinum





CL.1 Tissue holder without cover - Chrome

CL.1

83 500 705

Spare parts list

Product version from 3/9/2015

No.	Item Number	Name	Quantity used	Delivery time
	05 17 20 758 00 90	fixing set	7	2