

Tissue holder without cover - Chrome

MEM

83 500 780



- width 140mm
- height 35 mm
- 85mm projection

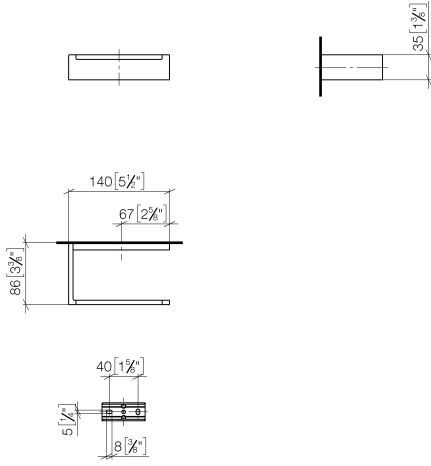
Fits: MEM, CYO

	Chrome	83 500 780-00
	Brushed Platinum	83 500 780-06
	Platinum	83 500 780-08
	Dark Chrome	83 500 780-19
	Brushed Durabronze (23kt Gold)	83 500 780-28
	Brushed Champagne (22kt Gold)	83 500 780-46
	Champagne (22kt Gold)	83 500 780-47
	Brushed Dark Platinum	83 500 780-99

Tissue holder without cover - Chrome

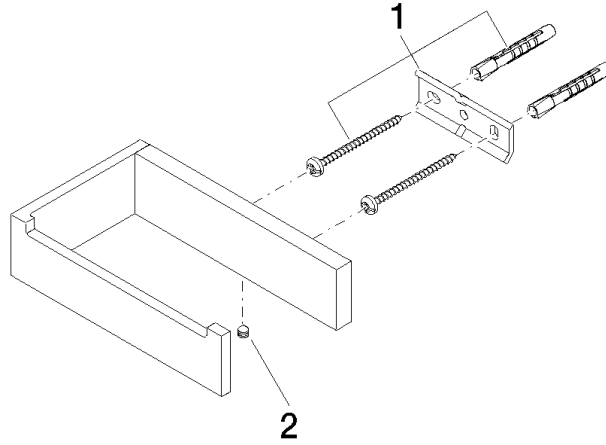
83 500 780

mm [inches]



83 500 780

Parts for other
finishes can be found
here: Brushed
Platinum





Tissue holder without cover - Chrome

MEM

83 500 780

Spare parts list

No.	Item Number	Name	Quantity used	Delivery time
	05 17 20 718 00 90	fixing set	2	2