

83 500 809

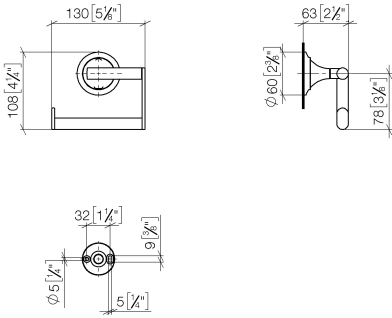


- width 130mm
- height 108 mm
- rosette Ø 60 mm
- 63mm projection

|  |                                     |               |
|--|-------------------------------------|---------------|
|  | Chrome                              | 83 500 809-00 |
|  | Brushed Platinum                    | 83 500 809-06 |
|  | Platinum                            | 83 500 809-08 |
|  | Dark Chrome                         | 83 500 809-19 |
|  | Brushed Durabronze<br>(23kt Gold)   | 83 500 809-28 |
|  | Brushed Bronze                      | 83 500 809-42 |
|  | Brushed<br>Champagne (22kt<br>Gold) | 83 500 809-46 |
|  | Champagne (22kt<br>Gold)            | 83 500 809-47 |
|  | Brushed Dark<br>Platinum            | 83 500 809-99 |

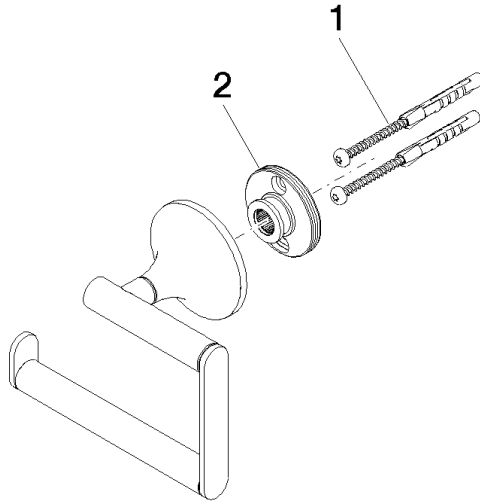
83 500 809

mm [inches]



83 500 809

Parts for other  
finishes can be found  
here: Brushed  
Platinum





## VAIA Tissue holder without cover - Chrome

VAIA

83 500 809

### Spare parts list

| No. | Item Number        | Name       | Quantity used | Delivery time |
|-----|--------------------|------------|---------------|---------------|
|     | 05 30 31 025 00 90 | fixing set | 2             | 2             |