

Tissue holder without cover - Chrome

LISSÉ

83 500 979



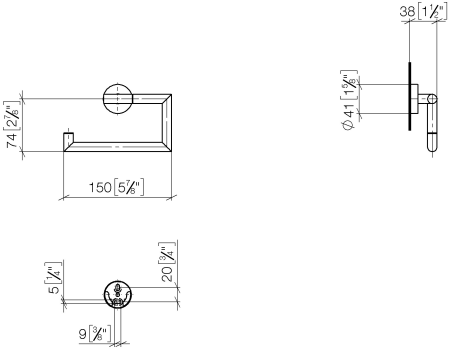
- width 150mm
- height 95 mm
- rosette Ø 40 mm
- 40mm projection

Fits: LISSÉ, META

	Chrome	83 500 979-00
	Brushed Platinum	83 500 979-06
	Dark Chrome	83 500 979-19
	Light Gold	83 500 979-26
	Brushed Light Gold	83 500 979-27
	Matte Black	83 500 979-33
	Brushed Bronze	83 500 979-42
	Brushed Champagne (22kt Gold)	83 500 979-46
	Champagne (22kt Gold)	83 500 979-47
	Brushed Chrome	83 500 979-93
	Brushed Dark Platinum	83 500 979-99

83 500 979

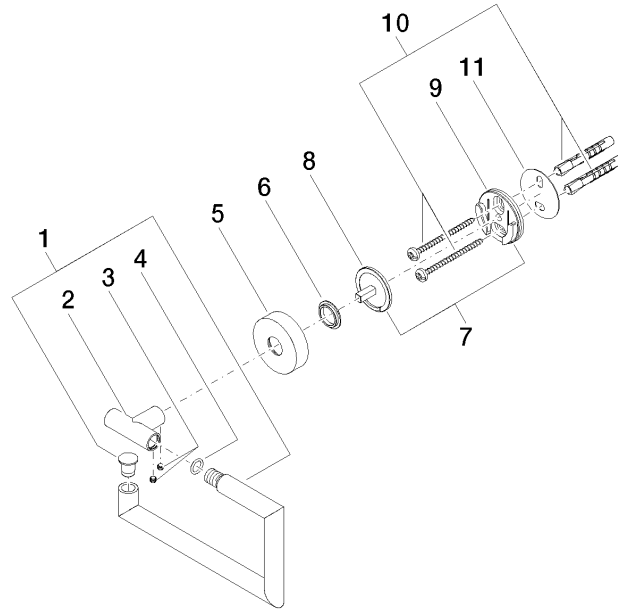
mm [inches]



83 500 979

Product version from 7/1/2023

Parts for other
finishes can be found
here: Brushed
Platinum





Tissue holder without cover - Chrome

LISSÉ

83 500 979

Spare parts list

Product version from 7/1/2023

No.	Item Number	Name	Quantity used	Delivery time
	90 28 22 626 00-00	holder	12	10