

Tissue holder without cover - Brushed Bronze

LISSÉ

83 500 979



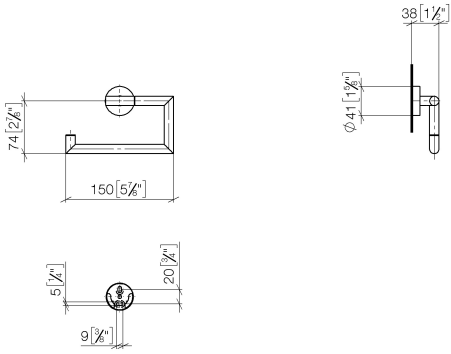
- width 150mm
- height 95 mm
- rosette Ø 40 mm
- 40mm projection

Fits: LISSÉ, META

| | | |
|--|-------------------------------|---------------|
|  | Brushed Bronze | 83 500 979-42 |
|  | Chrome | 83 500 979-00 |
|  | Brushed Platinum | 83 500 979-06 |
|  | Dark Chrome | 83 500 979-19 |
|  | Light Gold | 83 500 979-26 |
|  | Brushed Light Gold | 83 500 979-27 |
|  | Matte Black | 83 500 979-33 |
|  | Brushed Champagne (22kt Gold) | 83 500 979-46 |
|  | Champagne (22kt Gold) | 83 500 979-47 |
|  | Brushed Chrome | 83 500 979-93 |
|  | Brushed Dark Platinum | 83 500 979-99 |

83 500 979

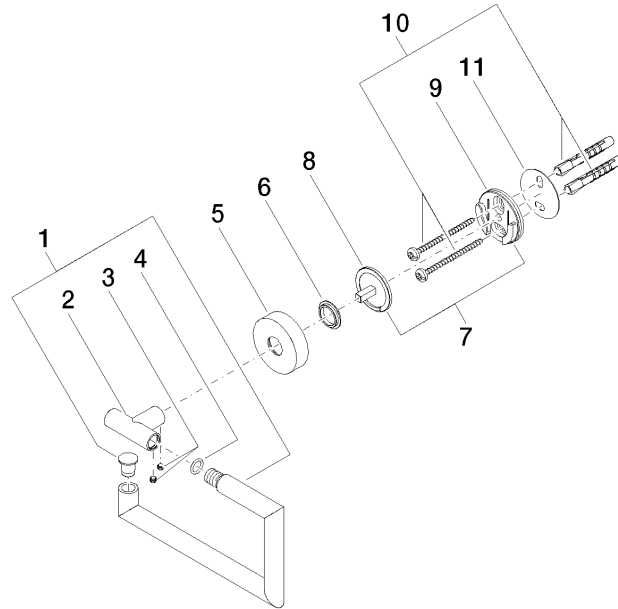
mm [inches]



83 500 979

Product version from 7/1/2023

Parts for other finishes can be found here: [Chrome](#)





Tissue holder without cover - Brushed Bronze

LISSÉ

83 500 979

Spare parts list

Product version from 7/1/2023

| No. | Item Number | Name | Quantity used | Delivery time |
|-----|--------------------|--------|---------------|---------------|
| | 90 28 22 626 00-42 | holder | 12 | 30 |