

Tissue holder with cover - Brushed Champagne (22kt Gold)


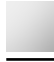
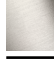





LISSÉ

83 510 979



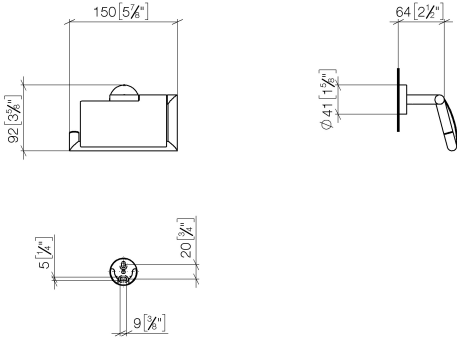
- width 150mm
- height 95 mm
- rosette Ø 40 mm
- 40mm projection

Fits: LISSÉ, META

	Brushed Champagne (22kt Gold)	83 510 979-46
	Chrome	83 510 979-00
	Brushed Platinum	83 510 979-06
	Dark Chrome	83 510 979-19
	Light Gold	83 510 979-26
	Brushed Light Gold	83 510 979-27
	Matte Black	83 510 979-33
	Brushed Bronze	83 510 979-42
	Champagne (22kt Gold)	83 510 979-47
	Brushed Chrome	83 510 979-93
	Brushed Dark Platinum	83 510 979-99

83 510 979

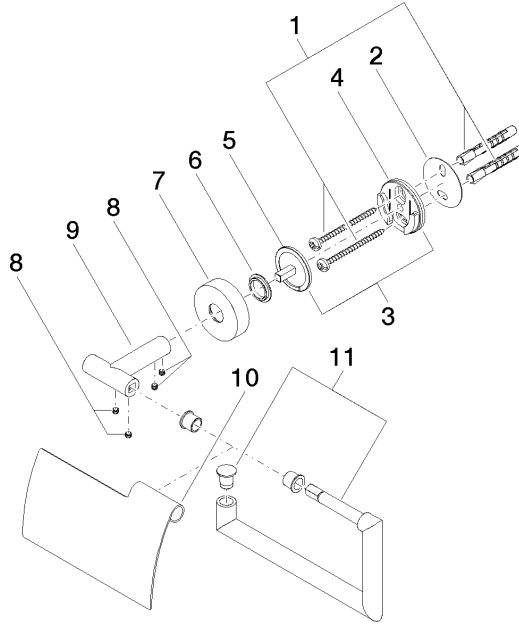
mm [inches]



83 510 979

**Product version from 7/1/2023**

Parts for other  
finishes can be found  
here: [Chrome](#)





Tissue holder with cover - Brushed Champagne (22kt Gold)

LISSÉ

83 510 979

**Spare parts list**

**Product version from 7/1/2023**

No.	Item Number	Name	Quantity used	Delivery time
	05 30 31 025 00 90	fixing set	14	2