







ST 030 100 2705








- 200mm projection
  - rectangular spray pattern with 55 individual jets
  - Hand shower: COMPACT RAIN, max. flow rate 6.8 l/min (at 3 bar)
  - complete hand shower set with anti-scale system
  - height of mixer 125 mm
  - height up to aerator 108 mm
  - 1/2" connection
  - hole diameter spout 35 mm
  - hole diameter valve 32 mm
  - rosette for complete hand shower set 60 x 60mm
  - rosette for deck valve 60 x 60mm
  - metal shower hose 2250mm with integrated anti-twist protection
- Intrinsic protection against back flow.**

	Dark Chrome	ST 030 100 2705-19
	Chrome	ST 030 100 2705-00
	Brushed Platinum	ST 030 100 2705-06
	Brushed Champagne (22kt Gold)	ST 030 100 2705-46
	Champagne (22kt Gold)	ST 030 100 2705-47
	Brushed Dark Platinum	ST 030 100 2705-99

Individual components of this set

You need the following components for this set

	1x	27 702 980-19		1x	29 140 670-19
	1x	13 612 705-19		1x	20 000 705-19
	1x	20 000 706-19			



## CL.1 Five-hole bath mixer for deck mounting with diverter - Dark Chrome

---

CL.1

ST 030 100 2705

ST 030 100 2705



Fits: IMO, MEM, CL.1, CYO

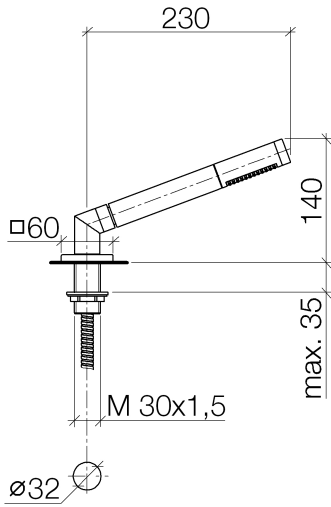
- COMPACT RAIN, max. flow rate 6.8 l/min (at 3 bar)
- with anti-scale system
- rosette 60 x 60 mm
- hole diameter 32 mm
- metal shower hose 2250mm with integrated anti-twist protection

Two-piece design allows hose to later be changed without dismantling the fitting.

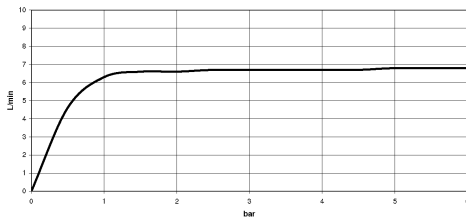
Intrinsic protection against back flow.

	Dark Chrome	27 702 980-19
	Chrome	27 702 980-00
	Brushed Platinum	27 702 980-06
	Platinum	27 702 980-08
	Brushed Light Gold	27 702 980-27
	Brushed Durabronze (23kt Gold)	27 702 980-28
	Matte Black	27 702 980-33
	Brushed Champagne (22kt Gold)	27 702 980-46
	Champagne (22kt Gold)	27 702 980-47
	Brushed Chrome	27 702 980-93
	Brushed Dark Platinum	27 702 980-99

ST 030 100 2705



### Flow rate chart

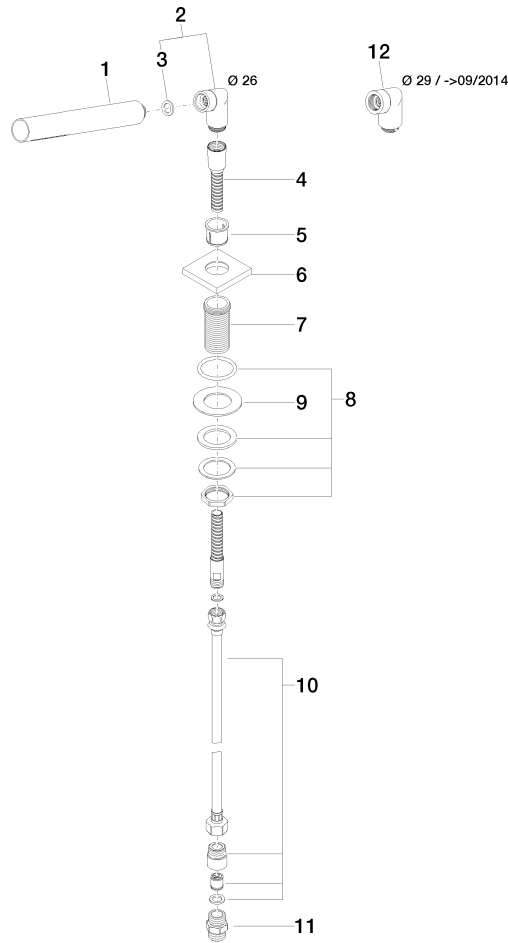


### Certificates

WRAS\_2209005.

ST 030 100 2705

Parts for other finishes can be found here: [Chrome](#)

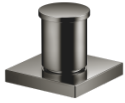


**Spare parts list**

No.	Item Number	Name	Quantity used	Delivery time
1	90 12 11 140 30-19	shower	1	20
2	04 24 04 287 00-19	nipple	1	20
3	90 14 20 002 00 90	seal	1	2
4	28 322 970-19	Metal shower hose 1/2" x 3/8" x 1750 mm - Dark Chrome	1	20
5	90 18 40 085 00 90	sleeve	1	2
6	09 27 68 003-19	rosette	1	60
7	09 30 01 090-07	sleeve	1	30
8	04 23 10 032 46 90	fixing set	1	2
9	09 30 11 060 90	disc	1	2
10	12 505 970 90	High pressure hose 1/2" x 3/8" x 500 mm -	1	2
11	90 24 03 168 00 90	nipple	1	2
12	04 24 04 187 00-19	nipple	1	-

Spare part can no longer be ordered, please order the replacement item

ST 030 100 2705



- automatic bath/shower diverter
- hole diameter 32 mm
- rosette 60 x 60 mm
- 1/2" connection
- max. flow 64.9 l/min at 3 bar flow pressure
- WRAS 1911025

Fits: IMO, MEM, CYO

	Dark Chrome	29 140 670-19
	Chrome	29 140 670-00
	Brushed Platinum	29 140 670-06
	Platinum	29 140 670-08
	Brushed Light Gold	29 140 670-27
	Brushed Durabross (23kt Gold)	29 140 670-28
	Matte Black	29 140 670-33
	Brushed Champagne (22kt Gold)	29 140 670-46
	Champagne (22kt Gold)	29 140 670-47
	Brushed Chrome	29 140 670-93
	Brushed Dark Platinum	29 140 670-99



## CL.1 Five-hole bath mixer for deck mounting with diverter - Dark Chrome

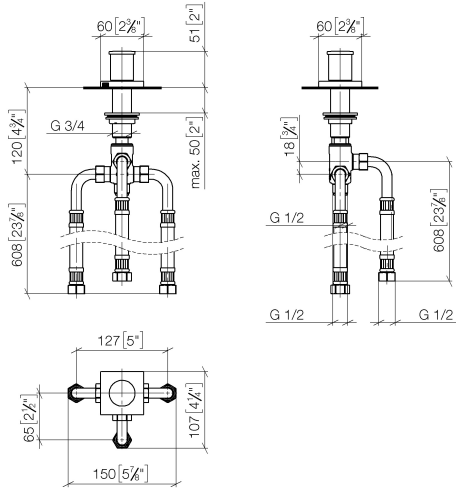
---

CL.1

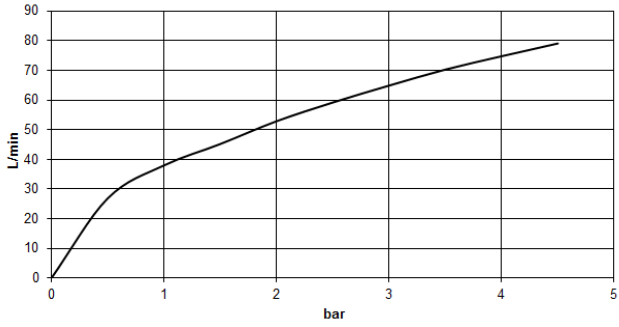
ST 030 100 2705

ST 030 100 2705

mm [inches]



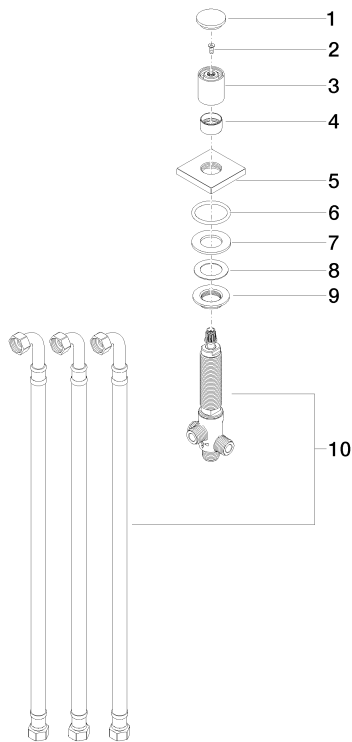
**Flow rate chart**





ST 030 100 2705

Parts for other finishes can be found here: [Chrome](#)



### Spare parts list

No.	Item Number	Name	Quantity used	Delivery time
1	09 20 71 003-19	handle	1	20
2	90 30 30 014 00 90	screw	1	2
3	09 20 71 002-19	handle	1	20
4	09 16 01 012-19	ring	1	20
5	09 27 67 006-19	rosette	1	60
6	90 14 10 043 00 90	seal	1	2
7	09 14 05 014 90	seal	1	2
8	09 14 40 002 90	seal	1	2
9	09 23 10 004 90	nut	1	2
10	90 17 09 051 00 90	diverter	1	2


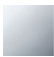




**CL.1 Five-hole bath mixer for deck mounting with diverter - Dark Chrome**

CL.1

ST 030 100 2705



- 200mm projection
- rectangular spray pattern with 55 individual jets
- height of mixer 125 mm
- height up to aerator 108 mm
- hole diameter 35 mm
- 1/2" connection
- max. flow 24.6 l/min at 3 bar flow pressure

	Dark Chrome	13 612 705-19
	Chrome	13 612 705-00
	Brushed Platinum	13 612 705-06
	Brushed Champagne (22kt Gold)	13 612 705-46
	Champagne (22kt Gold)	13 612 705-47
	Brushed Dark Platinum	13 612 705-99



## CL.1 Five-hole bath mixer for deck mounting with diverter - Dark Chrome

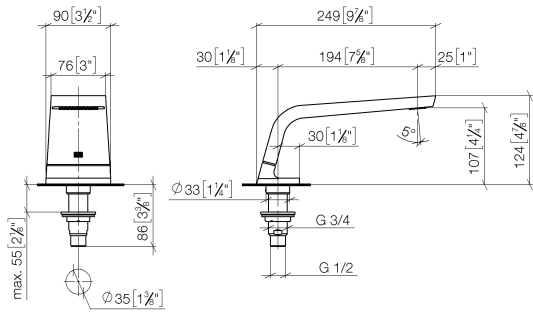
---

CL.1

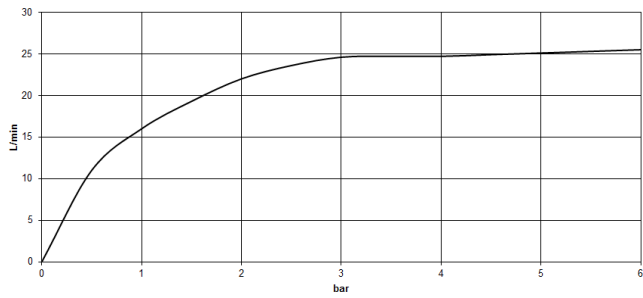
ST 030 100 2705

ST 030 100 2705

mm [inches]

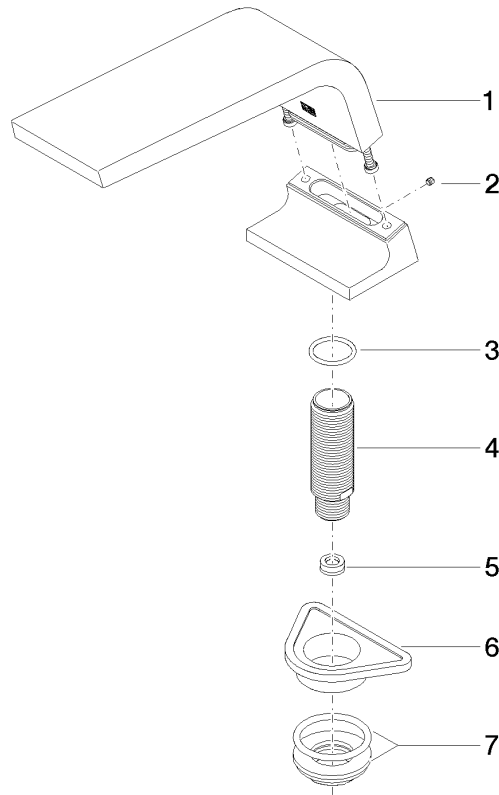


**Flow rate chart**



ST 030 100 2705

Parts for other finishes can be found here: [Chrome](#)



### Spare parts list

No.	Item Number	Name	Quantity used	Delivery time
1	90 11 70 007 00-19	spout	1	20
2	09 31 11 099 90	pin	1	2
3	09 14 10 009 90	seal	1	2
4	09 30 01 117 90	connection	1	2
5	09 23 01 057 90	flow reducer	1	2
6	09 18 40 090 90	sleeve	1	2
7	04 23 10 004 03 90	fixing set	1	2


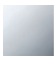




**CL.1 Five-hole bath mixer for deck mounting with diverter - Dark Chrome**

CL.1

ST 030 100 2705

- hole diameter valve 32 mm
- rosette 60 x 60 mm
- with cold marking

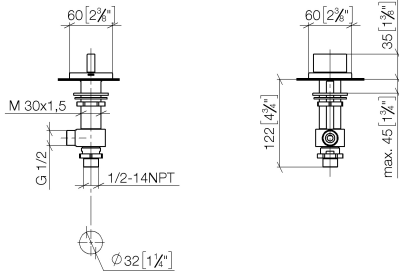


	Dark Chrome	20 000 705-19
	Chrome	20 000 705-00
	Brushed Platinum	20 000 705-06
	Brushed Champagne (22kt Gold)	20 000 705-46
	Champagne (22kt Gold)	20 000 705-47
	Brushed Dark Platinum	20 000 705-99

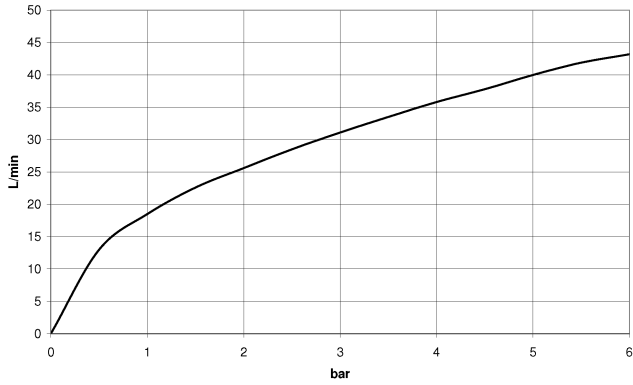


ST 030 100 2705

mm [inches]



**Flow rate chart**



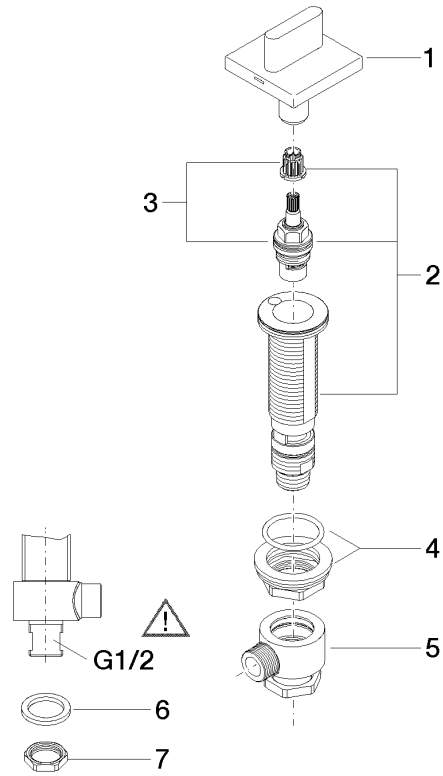
**Certificates**

WRAS\_2103001.



ST 030 100 2705

Parts for other finishes can be found here: [Chrome](#)



### Spare parts list

No.	Item Number	Name	Quantity used	Delivery time
1	90 20 70 051 04-19	handle ( cold )	1	20
2	04 17 11 058 33 90	side panel	1	2
3	90 90 03 133 00 90	top	1	2
4	04 23 10 032 78 90	fixing set	1	2
5	04 17 11 023 10 90	distributor	1	2
6	90 23 30 040 00-19	threaded connector	1	-
Spare part can no longer be ordered, please order the replacement item				
7	09 30 11 059 90	disc	1	2
8	09 23 10 012 90	nut	1	2


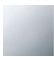




**CL.1 Five-hole bath mixer for deck mounting with diverter - Dark Chrome**

CL.1

ST 030 100 2705

- hole diameter valve 32 mm
- rosette 60 x 60 mm
- with hot marking

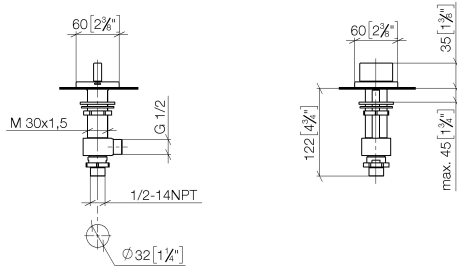


	Dark Chrome	20 000 706-19
	Chrome	20 000 706-00
	Brushed Platinum	20 000 706-06
	Brushed Champagne (22kt Gold)	20 000 706-46
	Champagne (22kt Gold)	20 000 706-47
	Brushed Dark Platinum	20 000 706-99

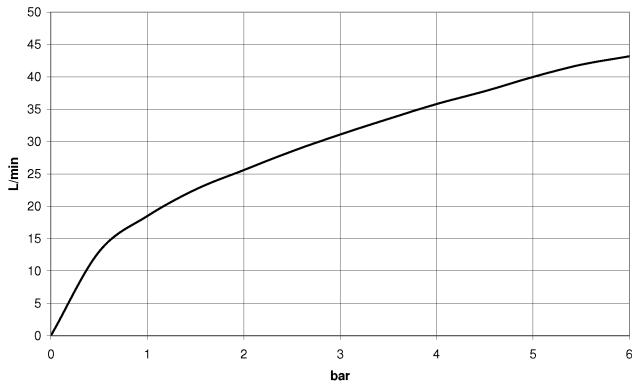


ST 030 100 2705

mm [inches]



**Flow rate chart**

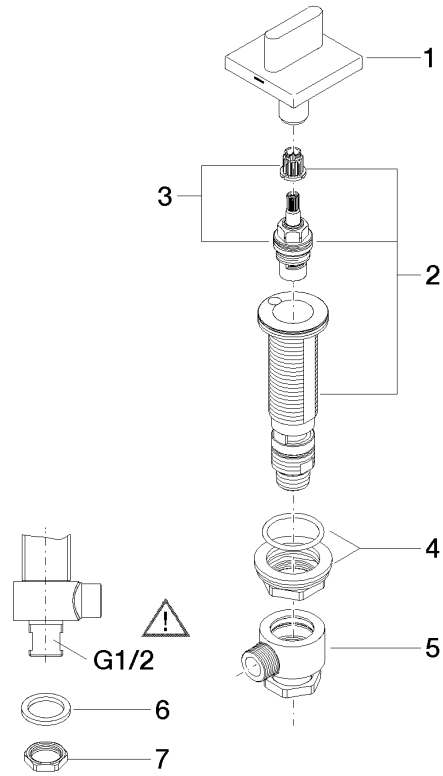


**Certificates**

WRAS\_2103001.

ST 030 100 2705

Parts for other finishes can be found here: [Chrome](#)



### Spare parts list

No.	Item Number	Name	Quantity used	Delivery time
1	90 20 70 051 05-19	handle ( hot )	1	20
2	04 17 11 058 32 90	side panel	1	2
3	90 90 03 132 00 90	top	1	2
4	04 23 10 032 78 90	fixing set	1	2
5	04 17 11 023 10 90	distributor	1	2
6	90 23 30 040 00-19	threaded connector	1	-
Spare part can no longer be ordered, please order the replacement item				
7	09 30 11 059 90	disc	1	2
8	09 23 10 012 90	nut	1	2