




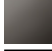





META Bath spout without diverter for free-standing assembly - Brushed Light Gold

META

13 672 661



- 282mm projection
- circular normal flow
- total height 811 - 881 mm
- height up to aerator 671 – 741 mm
- slide-on rosettes Ø 135 mm
- max. flow 28.6 l/min at 3 bar flow pressure
- WRAS 2001026

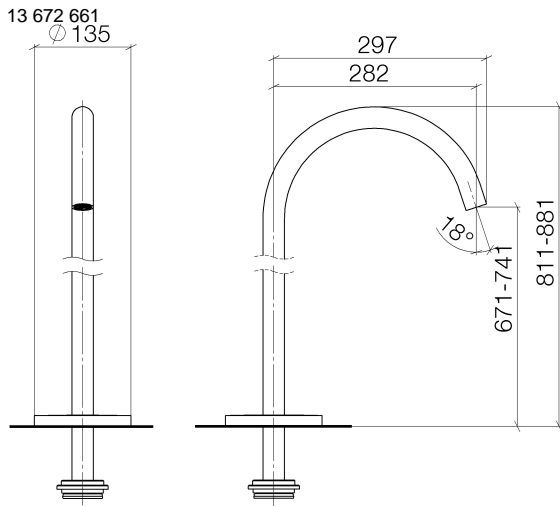
| | | |
|---|-----------------------|---------------|
|  | Brushed Light Gold | 13 672 661-27 |
|  | Chrome | 13 672 661-00 |
|  | Brushed Platinum | 13 672 661-06 |
|  | Dark Chrome | 13 672 661-19 |
|  | Light Gold | 13 672 661-26 |
|  | Matte Black | 13 672 661-33 |
|  | Brushed Bronze | 13 672 661-42 |
|  | Brushed Chrome | 13 672 661-93 |
|  | Brushed Dark Platinum | 13 672 661-99 |

Required miscellaneous

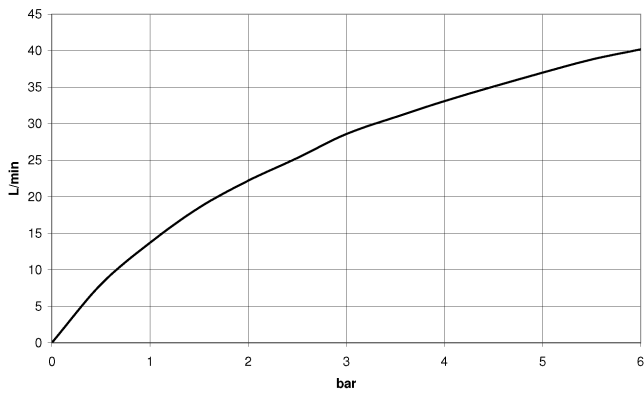


- Concealed floor mounting -**
- min. recess depth 80 mm
 - max. recess depth 150 mm

35 949 970-90
0010



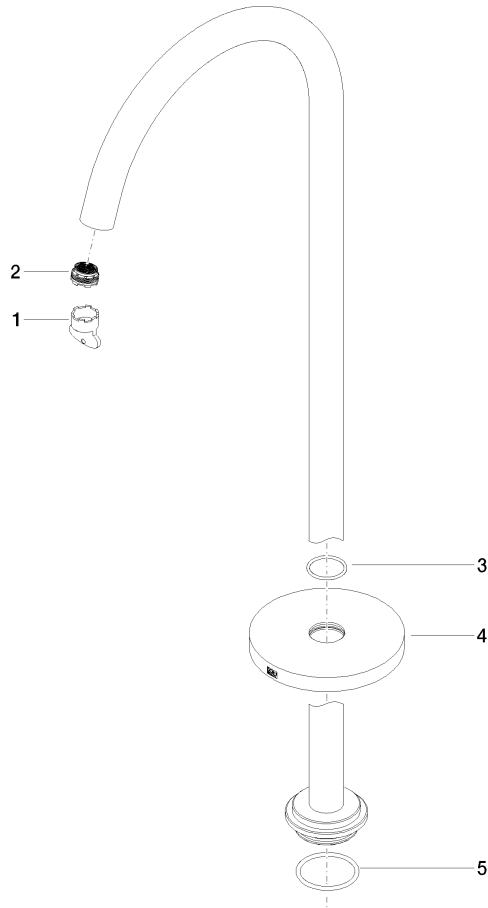
Flow rate chart



Codes & Standards

ASME
A112.18.1/CSA
B125.1

13 672 661



Spare parts list

| No. | Item Number | Name | Quantity used | Delivery time |
|-----|--------------------|---------|---------------|---------------|
| 1 | 04 30 09 027 00 90 | key | 1 | 2 |
| 2 | 09 29 03 127 90 | aerator | 1 | 60 |
| 3 | 09 14 10 101 90 | seal | 1 | 2 |
| 4 | 09 27 85 003-27 | rosette | 1 | 60 |
| 5 | 09 14 10 084 90 | seal | 1 | 2 |