

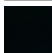




13 700 845



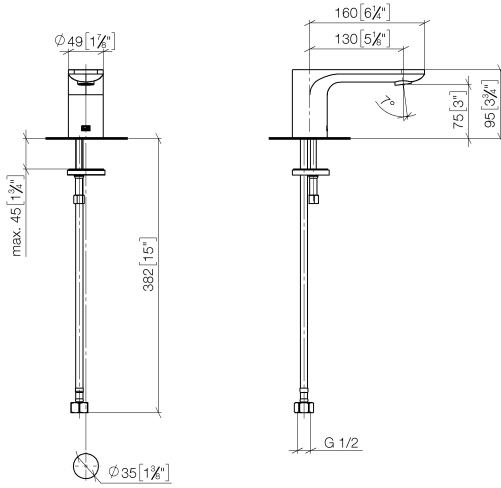
- 130mm projection
- fixed spout
- circular, air-enriched flow
- height of mixer 95 mm
- height up to aerator 75 mm
- hole diameter 35 mm
- 1/2" connection
- max. flow 5.7 l/min
- lead-free
- This product can help a building meet the requirements of Green Building Rating Systems, e.g. LEED®, BREEAM®, DGNB
- WRAS 1909064

| | | |
|---|-----------------------|---------------|
|  | Dark Chrome | 13 700 845-19 |
|  | Chrome | 13 700 845-00 |
|  | Matte Black | 13 700 845-33 |
|  | Brushed Chrome | 13 700 845-93 |
|  | Brushed Dark Platinum | 13 700 845-99 |

For Touchfree control please order eSet Touchfree WITH or WITHOUT temperature adjustment

13 700 845

mm [inches]



Flow rate chart



Codes & Standards

ASME
A112.18.1/CSA
B125.1

NSF/ANSI 372

NSF/ANSI/CAN
61



LISSÉ Deck-mounted basin spout without pop-up waste - Dark Chrome

LISSÉ

13 700 845

Certificates

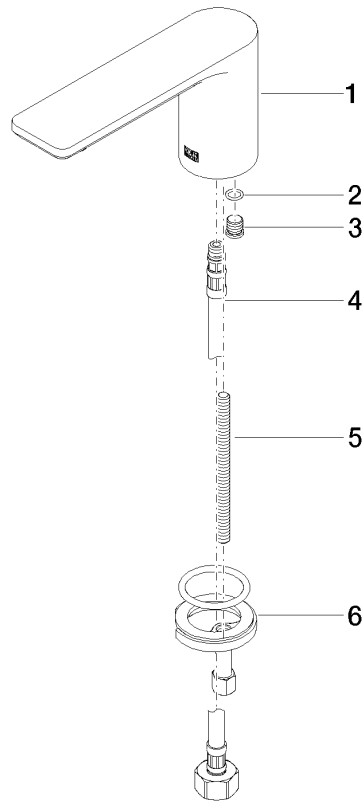
LGA_29120.

IAPMO_N-4976.

IAPMO_6397.

13 700 845

Parts for other finishes can be found here: [Chrome](#)



Spare parts list

| No. | Item Number | Name | Quantity used | Delivery time |
|-----|--------------------|------------|---------------|---------------|
| 1 | 90 11 84 015 00-19 | spout | 1 | 20 |
| 2 | 90 14 10 060 00 90 | seal | 1 | 2 |
| 3 | 09 31 20 065 90 | plug | 1 | 2 |
| 4 | 04 30 04 019 00 90 | hose | 1 | 2 |
| 5 | 09 31 11 012 90 | pin | 1 | 2 |
| 6 | 04 30 11 038 75 90 | fixing set | 1 | 2 |