

17 861 625



- 145mm projection
- rigid, thermally insulated spout
- laminar flow
- height of mixer 249 mm
- height up to laminar flow regulator 184 mm
- hole diameter 35 mm
- provides filtered, hot water up to 93°C
- provides filtered, cold water
- max. flow 2 l/min at 3 bar flow pressure
- ready-to-use control unit for wall mounting (137mm x 159mm x 60mm)
- electronic magnetic valve
- 100-230 V, 50-60 Hz, 18 W power supply unit, incl. country-specific adapter set
- lead-free
- one lever for cold and hot water
- Spout ring cannot be removed.
- This product can help a building meet the requirements of Green Building Rating Systems, e.g. LEED®, BREEAM®, DGNB

NOTE: Not compatible with Reverse Osmosis

A minimum flow pressure of 3 bar is necessary for the HOT & COLD WATER DISPENSER to work perfectly in conjunction with a hot water tank and filter.

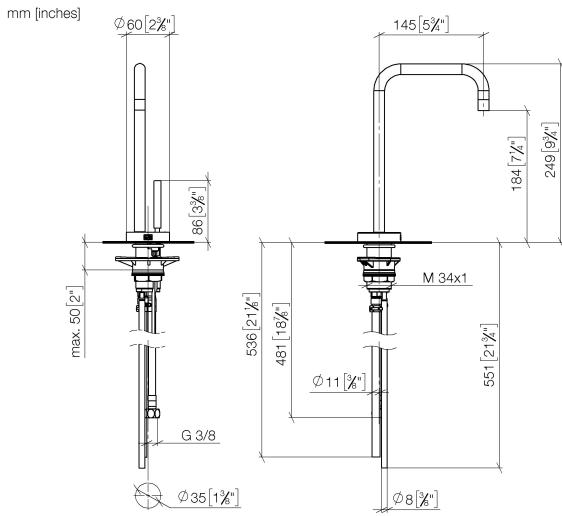
In addition, the installation must be above a kitchen sink.

The filter cartridge must be changed every six months. The installation instructions contain further information for guidance.

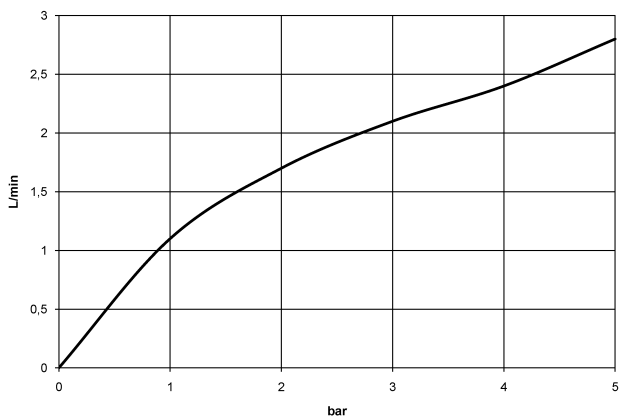
Detailed planning information and technical data can be found at www.dornbracht.com/professional

	Matte Black	17 861 625-33
	Chrome	17 861 625-00
	Brushed Platinum	17 861 625-06
	Platinum	17 861 625-08
	Durabronze (23kt Gold)	17 861 625-09
	Dark Chrome	17 861 625-19
	Brushed Durabronze (23kt Gold)	17 861 625-28
	Brushed Champagne (22kt Gold)	17 861 625-46
	Champagne (22kt Gold)	17 861 625-47
	Brushed Chrome	17 861 625-93
	Brushed Dark Platinum	17 861 625-99

17 861 625



Flow rate chart



Codes & Standards

ADA	ASME A112.18.1/CSA B125.1	California Energy Commission (CEC)	DIN 4109
Executive Order no. 1007	ISO 3822	NSF/ANSI 372	NSF/ANSI/CAN 61
NSF372	NSF61	Ü-Zeichen	



META SQUARE HOT & COLD WATER DISPENSER - Matte Black

META SQUARE

17 861 625

Certificates

GDV_0400

IAPMO_N-4

LGA_28

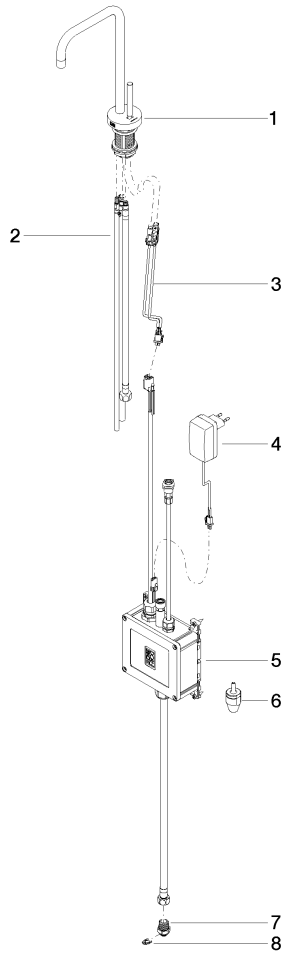
IAPMO_6

17 861 625

Product version from 5/27/2021 to 5/28/2022

Product version from 5/28/2022

Parts for other finishes can be found here: [Chrome](#)





17 861 625

Spare parts list

Product version from 5/27/2021 to 5/28/2022

Product version from 5/28/2022