

17 861 680



- 145mm projection
- rigid, thermally insulated spout
- laminar flow
- height of mixer 233 mm
- height up to laminar flow regulator 213 mm
- hole diameter 35 mm
- provides filtered, hot water up to 93°C
- provides filtered, cold water
- max. flow 2 l/min at 3 bar flow pressure
- ready-to-use control unit for wall mounting (137mm x 159mm x 60mm)
- electronic magnetic valve
- 100-230 V, 50-60 Hz, 18 W power supply unit, incl. country-specific adapter set
- lead-free
- one lever for cold and hot water
- Spout ring cannot be removed.
- This product can help a building meet the requirements of Green Building Rating Systems, e.g. LEED®, BREEAM®, DGNB

NOTE: Not compatible with Reverse Osmosis

A minimum flow pressure of 3 bar is necessary for the HOT & COLD WATER DISPENSER to work perfectly in conjunction with a hot water tank and filter.

In addition, the installation must be above a kitchen sink.

The filter cartridge must be changed every six months. The installation instructions contain further information for guidance.

Detailed planning information and technical data can be found at www.dornbracht.com/professional

| | | |
|--|--------------------------------|---------------|
|  | Champagne (22kt Gold) | 17 861 680-47 |
|  | Chrome | 17 861 680-00 |
|  | Brushed Platinum | 17 861 680-06 |
|  | Platinum | 17 861 680-08 |
|  | Dark Chrome | 17 861 680-19 |
|  | Brushed Durabronze (23kt Gold) | 17 861 680-28 |
|  | Brushed Champagne (22kt Gold) | 17 861 680-46 |
|  | Brushed Dark Platinum | 17 861 680-99 |

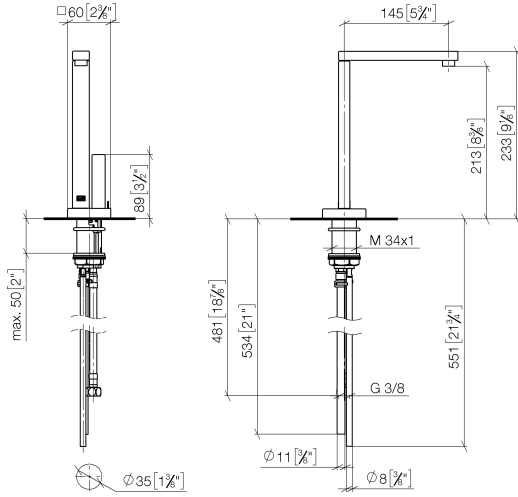


LOT HOT & COLD WATER DISPENSER - Champagne (22kt Gold)

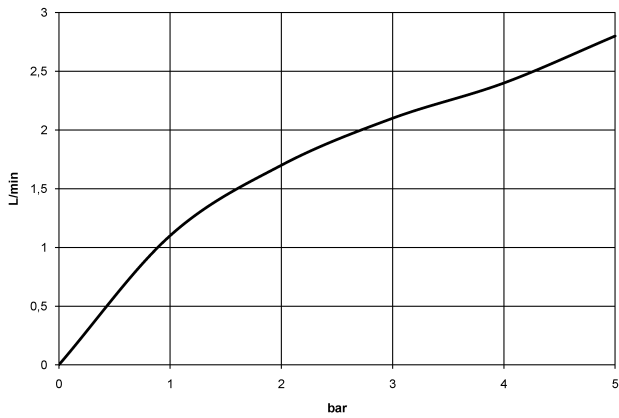
LOT

17 861 680

mm [inches]



Flow rate chart



Codes & Standards

| | | | |
|--------------------|---------------------------------|--|--------------|
| ADA | ASME A112.18.1/CSA B125.1 | California Energy Commission (CEC) | NSF/ANSI 372 |
| NSF/ANSI/CAN 61 | NSF372 | NSF61 | |



LOT HOT & COLD WATER DISPENSER - Champagne (22kt Gold)

LOT

17 861 680

Certificates

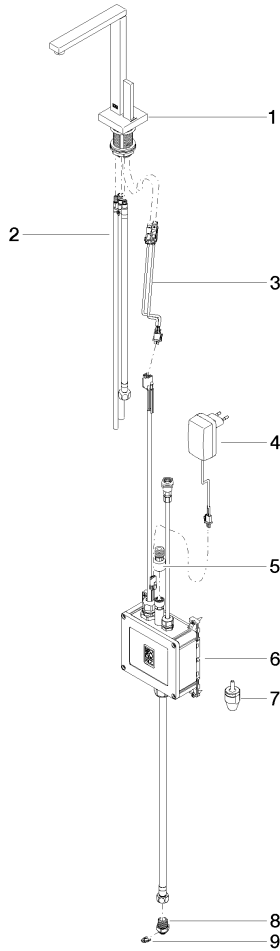
IAPMO_N-4

IAPMO_6

17 861 680

Product version from 5/28/2022

Parts for other finishes can be found here: Chrome





LOT HOT & COLD WATER DISPENSER - Champagne (22kt Gold)

LOT

17 861 680

Spare parts list

Product version from 5/28/2022