

17 861 888



- 146mm projection
- rigid, thermally insulated spout
- laminar flow
- height of mixer 288 mm
- height up to laminar flow regulator 180 mm
- hole diameter 35 mm
- provides filtered, hot water up to 93°C
- provides filtered, cold water
- max. flow 2 l/min at 3 bar flow pressure
- ready-to-use control unit for wall mounting (137mm x 159mm x 60mm)
- electronic magnetic valve
- 100-230 V, 50-60 Hz, 18 W power supply unit, incl. country-specific adapter set
- lead-free
- one lever for cold and hot water
- Spout ring cannot be removed.
- This product can help a building meet the requirements of Green Building Rating Systems, e.g. LEED®, BREEAM®, DGNB

NOTE: Not compatible with Reverse Osmosis

A minimum flow pressure of 3 bar is necessary for the HOT & COLD WATER DISPENSER to work perfectly in conjunction with a hot water tank and filter.

In addition, the installation must be above a kitchen sink.

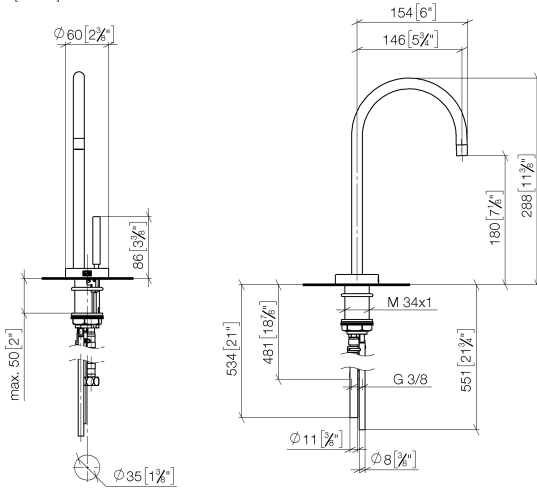
The filter cartridge must be changed every six months. The installation instructions contain further information for guidance.

Detailed planning information and technical data can be found at www.dornbracht.com/professional

| | | |
|--|-------------------------------|---------------|
|  | Brushed Champagne (22kt Gold) | 17 861 888-46 |
|  | Chrome | 17 861 888-00 |
|  | Brushed Platinum | 17 861 888-06 |
|  | Platinum | 17 861 888-08 |
|  | Durabrand (23kt Gold) | 17 861 888-09 |
|  | Dark Chrome | 17 861 888-19 |
|  | Brushed Durabrand (23kt Gold) | 17 861 888-28 |
|  | Matte Black | 17 861 888-33 |
|  | Champagne (22kt Gold) | 17 861 888-47 |
|  | Brushed Chrome | 17 861 888-93 |
|  | Brushed Dark Platinum | 17 861 888-99 |

17 861 888

mm [inches]



Flow rate chart



Codes & Standards

| | | | |
|--------------|---------------------------------|--|-----------------------------|
| ADA | ASME A112.18.1/CSA B125.1 | California Energy Commission (CEC) | Executive Order no. 1007 |
| NSF/ANSI 372 | NSF/ANSI/CAN 61 | NSF372 | NSF61 |



TARA HOT & COLD WATER DISPENSER - Brushed Champagne (22kt Gold)

TARA

17 861 888

Certificates

GDV_0400

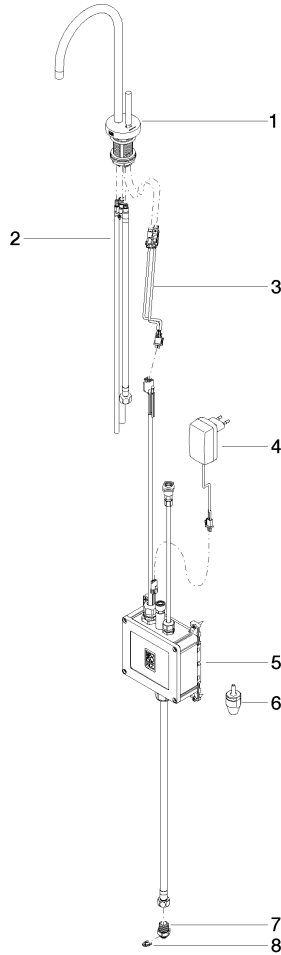
IAPMO_N-4

IAPMO_6

17 861 888

Product version from 5/28/2022

Parts for other finishes can be found here: [Chrome](#)





17 861 888

Spare parts list

Product version from 5/28/2022