

19 825 809 Product version from 7/1/2023



- 241mm projection
- pivotable spout 360°
- air-enriched flow
- max. flow 5.7 l/min at 3 bar flow pressure
- lead-free
- This product can help a building meet the requirements of Green Building Rating Systems, e.g. LEED®, BREEAM®, DGNB

Two-hole mixer for combining with rinsing/Profi spray only

	Brushed Bronze	19 825 809-42 0010
	Chrome	19 825 809-00 0010
	Brushed Platinum	19 825 809-06 0010
	Platinum	19 825 809-08 0010
	Durabronze (23kt Gold)	19 825 809-09 0010
	Dark Chrome	19 825 809-19 0010
	Brushed Durabronze (23kt Gold)	19 825 809-28 0010
	Matte Black	19 825 809-33 0010
	Brushed Champagne (22kt Gold)	19 825 809-46 0010
	Champagne (22kt Gold)	19 825 809-47 0010
	Brushed Chrome	19 825 809-93 0010
	Brushed Dark Platinum	19 825 809-99 0010

**Recommended miscellaneous**

**VAIA Dispenser with rosette -** 82 434 809-42  
**Brushed Bronze**



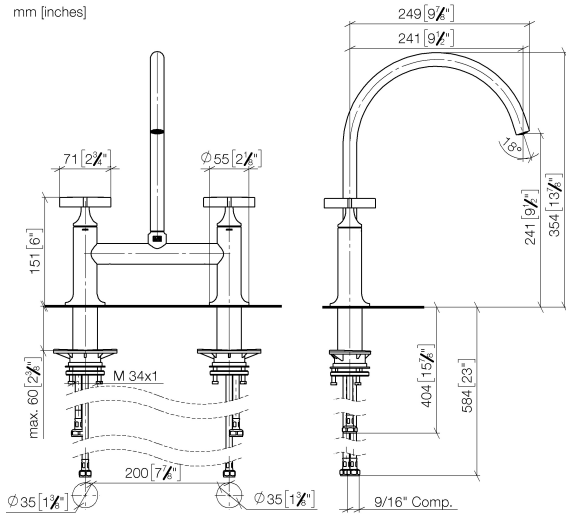
**Recommended miscellaneous**

**VAIA AIR SWITCH Control button -** 10 713 809-42  
**Brushed Bronze**

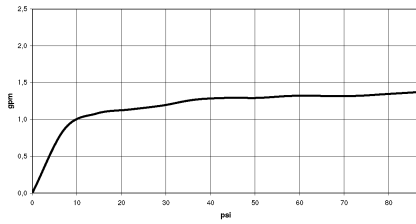


19 825 809 Product version from 7/1/2023

mm [inches]



**Flow rate chart**

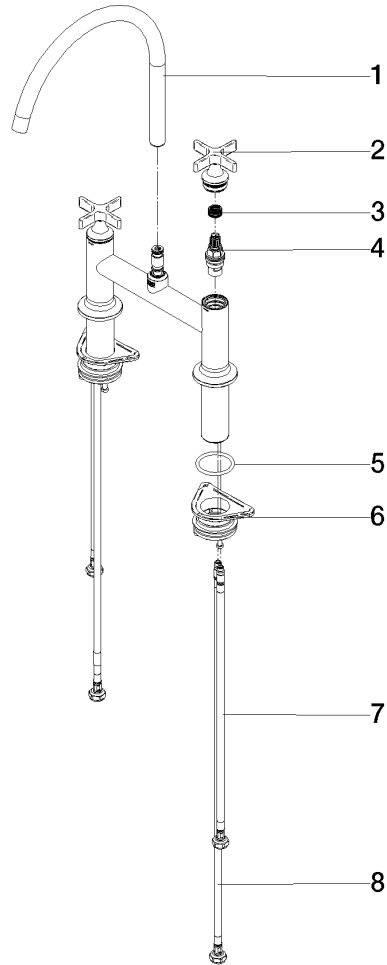


**Codes & Standards**

California Energy  
Commission  
(CEC)

19 825 809 Product version from 7/1/2023

Parts for other finishes can be found here: [Chrome](#)



Spare parts list

No.	Item Number	Name	Quantity used	Delivery time
1	90 28 22 396 01-42	spout	1	30
2	90 20 80 036 00-42	handle	2	30
3	90 12 12 232 00 90	fixing cap	2	2
4	90 90 03 131 00 90	top	2	2
5	04 30 11 040 00 90	fixing set	2	2
6	04 30 04 100 00 90	hose	2	2
7	04 30 04 103 00 90	hose	2	2