

19 825 809



- 241mm projection
- pivotable spout 360°
- air-enriched flow
- max. flow 5.7 l/min at 3 bar flow pressure
- lead-free
- This product can help a building meet the requirements of Green Building Rating Systems, e.g. LEED®, BREEAM®, DGNB

Two-hole mixer for combining with rinsing/Profi spray only

	Champagne (22kt Gold)	19 825 809-47 0010
	Chrome	19 825 809-00 0010
	Brushed Platinum	19 825 809-06 0010
	Platinum	19 825 809-08 0010
	Durabronze (23kt Gold)	19 825 809-09 0010
	Dark Chrome	19 825 809-19 0010
	Brushed Durabronze (23kt Gold)	19 825 809-28 0010
	Matte Black	19 825 809-33 0010
	Brushed Champagne (22kt Gold)	19 825 809-46 0010
	Brushed Chrome	19 825 809-93 0010
	Brushed Dark Platinum	19 825 809-99 0010

Recommended miscellaneous

VAIA Dispenser with rosette - Champagne (22kt Gold) 82 434 809-47



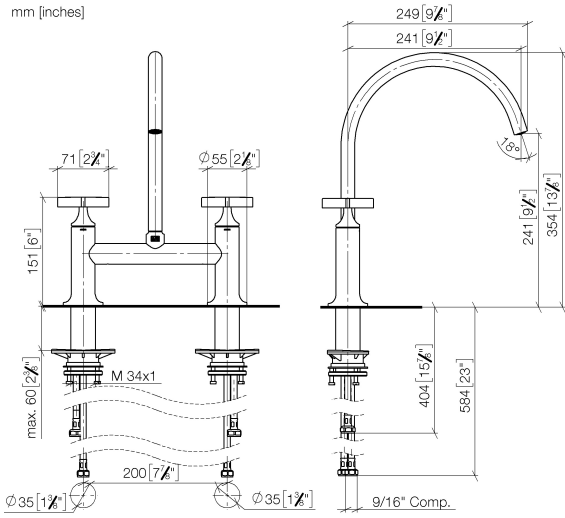
Recommended miscellaneous

VAIA AIR SWITCH Control button - Champagne (22kt Gold) 10 713 809-47

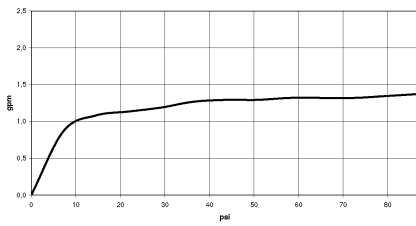


19 825 809

mm [inches]



Flow rate chart



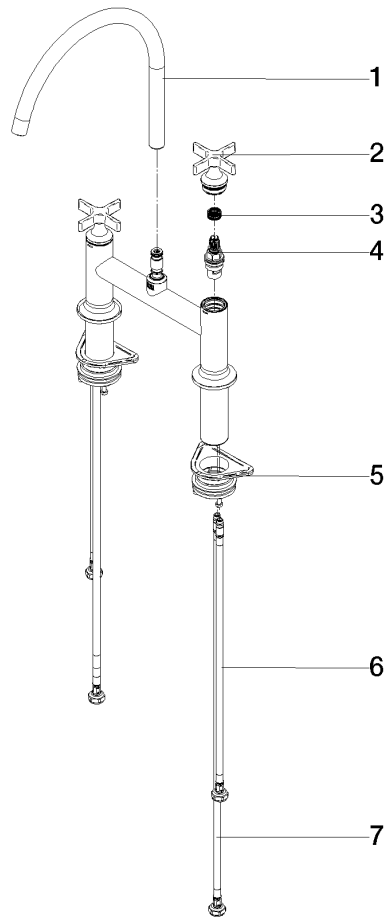
Codes & Standards

California Energy
Commission
(CEC)

19 825 809

Product version from 7/1/2023

Parts for other
finishes can be found
here: [Chrome](#)





VAIA Two-hole bridge mixer for rinsing/Profi spray - Champagne (22kt Gold)

VAIA

19 825 809

Spare parts list

Product version from 7/1/2023

No.	Item Number	Name	Quantity used	Delivery time
	90 28 22 396 01-47	spout	13	30