

19 870 809




- 240mm projection
- pivotable spout 360°
- Optional swivel limiter available with swivel limiter set 12 823 970 90
- air-enriched flow and spray flow
- height of mixer 393 mm
- height up to laminar flow regulator 204 mm
- hole diameter 35 mm
- 2 x pressure hose with 3/8" cap nut
- 1800 mm metal shower hose
- sprayface with anti-scaling system
- max. flow 5.7 l/min at 3 bar flow pressure
- lead-free
- This product can help a building meet the requirements of Green Building Rating Systems, e.g. LEED®, BREEAM®, DGNB

Intrinsic protection against back flow.


Switch back and forth between aerator and spray mode while water is running.

	Matte Black	19 870 809-33 0010
	Chrome	19 870 809-00 0010
	Brushed Platinum	19 870 809-06 0010
	Platinum	19 870 809-08 0010
	Durabronze (23kt Gold)	19 870 809-09 0010
	Dark Chrome	19 870 809-19 0010
	Brushed Durabronze (23kt Gold)	19 870 809-28 0010
	Brushed Champagne (22kt Gold)	19 870 809-46 0010
	Champagne (22kt Gold)	19 870 809-47 0010
	Brushed Chrome	19 870 809-93 0010
	Brushed Dark Platinum	19 870 809-99 0010

Recommended miscellaneous

	Swivel limitation set -	12 823 970 90
---	--------------------------------	---------------

Recommended miscellaneous

	VAIA Dispenser with rosette - Matte Black	82 434 809-33
---	--	---------------

Recommended miscellaneous

	VAIA AIR SWITCH Control button - Matte Black	10 713 809-33
---	---	---------------

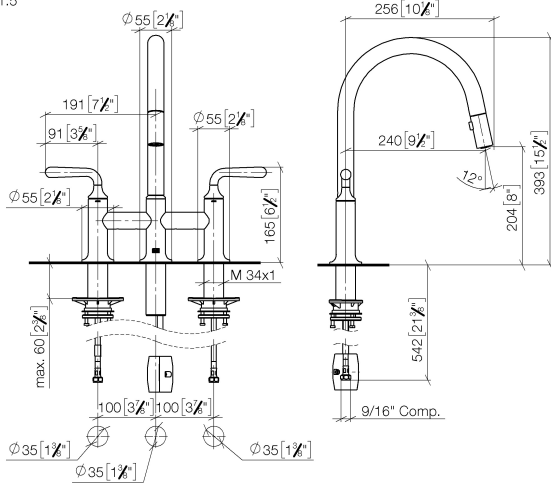


VAIA Three-hole bridge mixer Pull-down with spray function - Matte Black

VAIA

19 870 809

mm [inches]
1:5



Flow rate chart

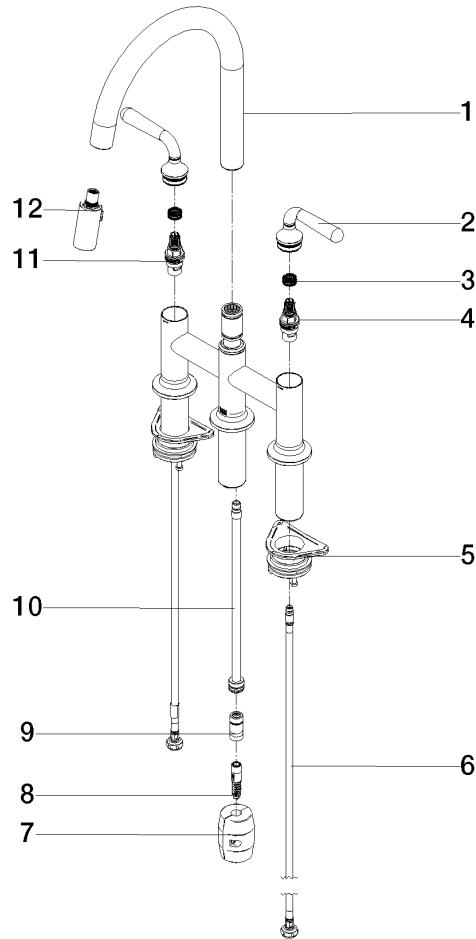


Codes & Standards

California Energy
Commission
(CEC)

19 870 809

Product version from 7/1/2023





VAIA Three-hole bridge mixer Pull-down with spray function - Matte Black

VAIA

19 870 809

Spare parts list

Product version from 7/1/2023

No.	Item Number	Name	Quantity used	Delivery time
	90 28 22 397 00-33	spout	16	30