

VAIA Three-hole bridge mixer Pull-down with spray function - Brushed Champagne (22kt Gold)

VAIA

19 870 809



- 240mm projection
- pivotable spout 360°
- Optional swivel limiter available with swivel limiter set 12 823 970 90
- air-enriched flow and spray flow
- height of mixer 393 mm
- height up to laminar flow regulator 204 mm
- hole diameter 35 mm
- 2 x pressure hose with 3/8" cap nut
- 1800 mm metal shower hose
- sprayface with anti-scaling system
- max. flow 5.7 l/min at 3 bar flow pressure
- lead-free
- This product can help a building meet the requirements of Green Building Rating Systems, e.g. LEED®, BREEAM®, DGNB

Intrinsic protection against back flow.

Switch back and forth between aerator and spray mode while water is running.

	Brushed Champagne (22kt Gold)	19 870 809-46 0010
	Chrome	19 870 809-00 0010
	Brushed Platinum	19 870 809-06 0010
	Platinum	19 870 809-08 0010
	Durabrand (23kt Gold)	19 870 809-09 0010
	Dark Chrome	19 870 809-19 0010
	Brushed Durabrand (23kt Gold)	19 870 809-28 0010
	Matte Black	19 870 809-33 0010
	Champagne (22kt Gold)	19 870 809-47 0010
	Brushed Chrome	19 870 809-93 0010
	Brushed Dark Platinum	19 870 809-99 0010

Recommended miscellaneous



Swivel limitation set - 12 823 970 90

Recommended miscellaneous



VAIA Dispenser with rosette - 82 434 809-46
Brushed Champagne (22kt Gold)

Recommended miscellaneous



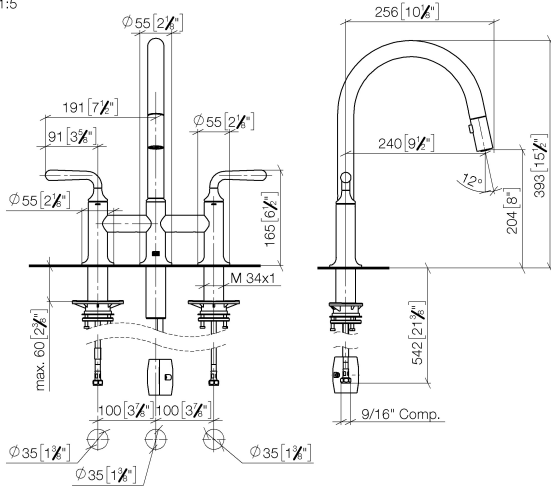
VAIA AIR SWITCH Control button - 10 713 809-46
Brushed Champagne (22kt Gold)



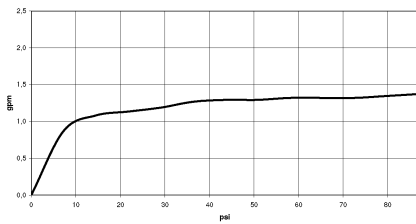
VAIA Three-hole bridge mixer Pull-down with spray function - Brushed Champagne (22kt Gold)

VAIA

19 870 809
mm [inches]
1:5



Flow rate chart



Codes & Standards

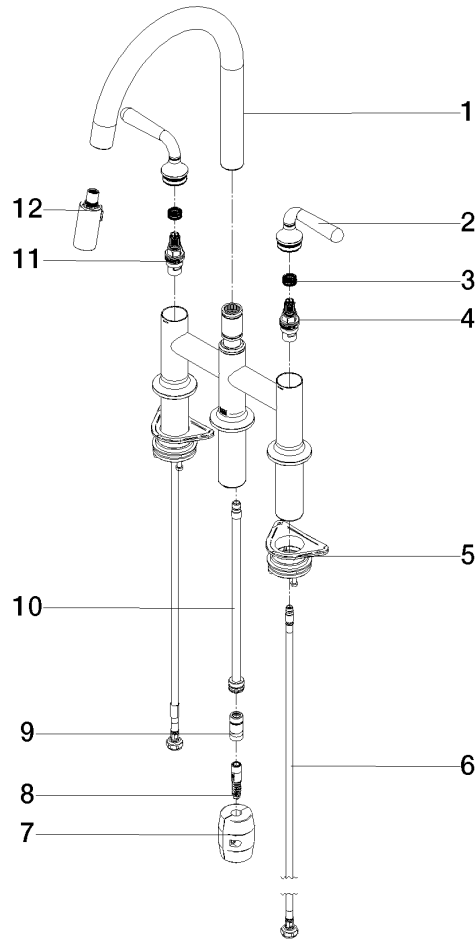
California Energy
Commission
(CEC)

VAIA Three-hole bridge mixer Pull-down with spray function - Brushed
Champagne (22kt Gold)

VAIA

19 870 809

Product version from 7/1/2023





VAIA Three-hole bridge mixer Pull-down with spray function - Brushed
Champagne (22kt Gold)

VAIA

19 870 809

Spare parts list

Product version from 7/1/2023

No.	Item Number	Name	Quantity used	Delivery time
	90 28 22 397 00-46	spout	16	30