

19 875 809



- 240mm projection
- pivotable spout 360°
- Optional swivel limiter available with swivel limiter set 12 823 970 90
- air-enriched flow and spray flow
- height of mixer 393 mm
- height up to laminar flow regulator 204 mm
- hole diameter 35 mm
- 2 x pressure hose with 3/8" cap nut
- 1800 mm metal shower hose
- sprayface with anti-scaling system
- max. flow 5.7 l/min at 3 bar flow pressure
- lead-free
- This product can help a building meet the requirements of Green Building Rating Systems, e.g. LEED®, BREEAM®, DGNB

Intrinsic protection against back flow.

Switch back and forth between aerator and spray mode while water is running.

	Brushed Chrome	19 875 809-93 0010
	Chrome	19 875 809-00 0010
	Brushed Platinum	19 875 809-06 0010
	Platinum	19 875 809-08 0010
	Durabronze (23kt Gold)	19 875 809-09 0010
	Dark Chrome	19 875 809-19 0010
	Brushed Durabronze (23kt Gold)	19 875 809-28 0010
	Matte Black	19 875 809-33 0010
	Brushed Champagne (22kt Gold)	19 875 809-46 0010
	Champagne (22kt Gold)	19 875 809-47 0010
	Brushed Dark Platinum	19 875 809-99 0010

**Recommended miscellaneous**

	<b>Swivel limitation set -</b>	12 823 970 90
--	--------------------------------	---------------

**Recommended miscellaneous**

	<b>Swivel limitation set -</b>	12 823 970 90
--	--------------------------------	---------------

**Recommended miscellaneous**

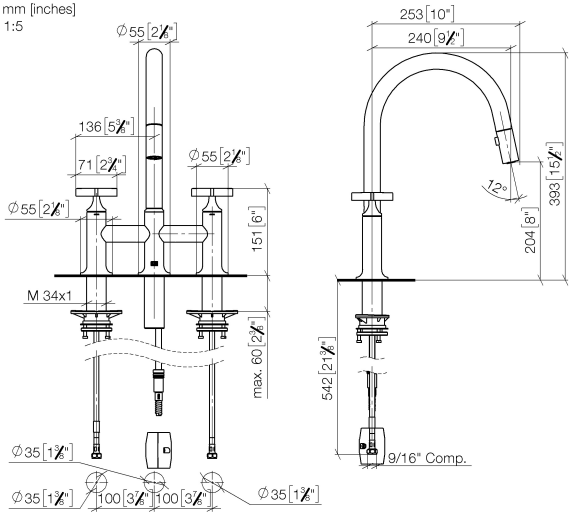
	<b>VAIA Dispenser with rosette - Brushed Chrome</b>	82 434 809-93
--	---	---------------

**Recommended miscellaneous**

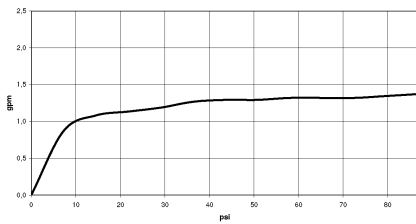
	<b>VAIA AIR SWITCH Control button - Brushed Chrome</b>	10 713 809-93
--	--	---------------

19 875 809

mm [inches]  
1:5



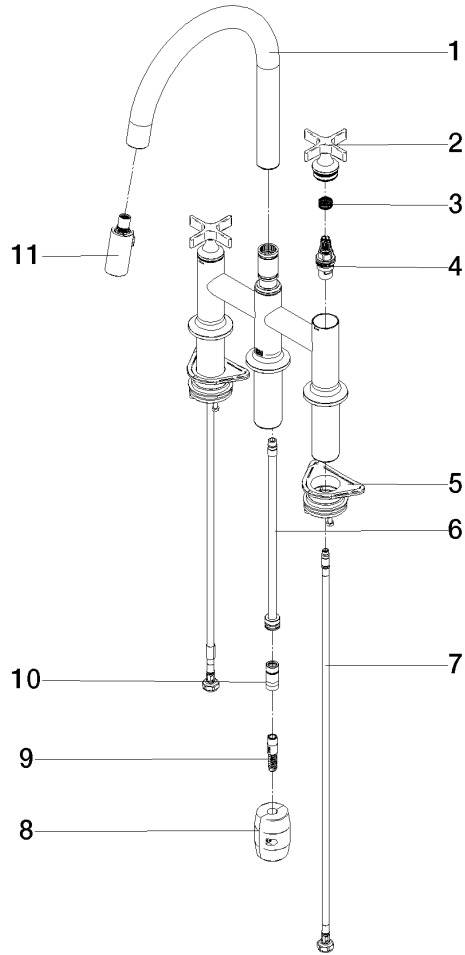
**Flow rate chart**



**Codes & Standards**

California Energy  
Commission  
(CEC)

19 875 809





## Spare parts list