



20 713 710

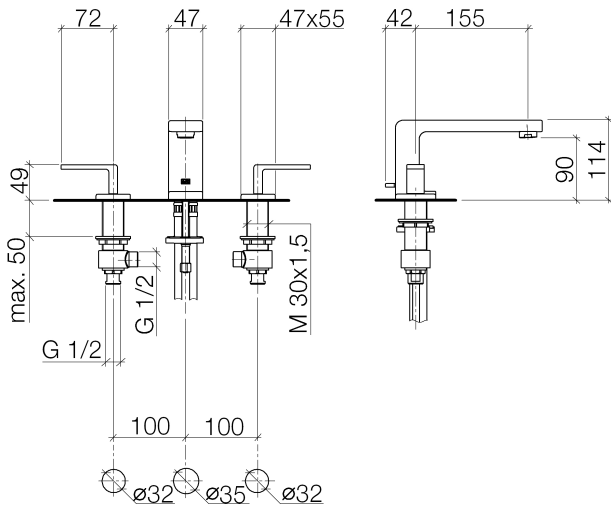


- 155mm projection
- fixed spout
- 1 1/4" pop-up waste
- circular, air-enriched flow
- height of mixer 114 mm
- height up to aerator 90 mm
- hole diameter valve 32 mm
- hole diameter spout 35 mm
- rosette 47 x 55 mm
- 2x screw-in M 8 x 1 pressure hose, leak-tested
- max. flow 4.5 l/min
- lead-free
- This product can help a building meet the requirements of Green Building Rating Systems, e.g. LEED®, BREEAM®, DGNB

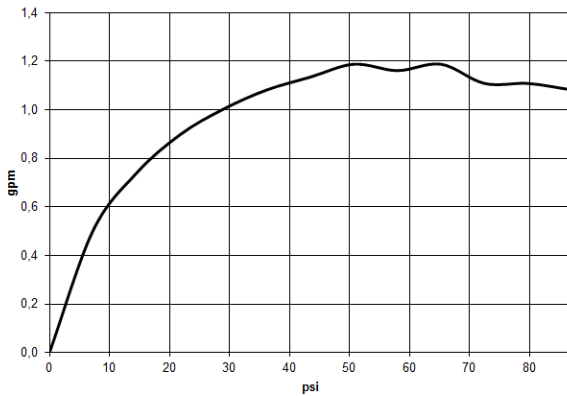
Only suitable for basins with an overflow.

	Chrome	20 713 710-00 0010
	Brushed Platinum	20 713 710-06 0010


20 713 710



Flow rate chart



Codes & Standards

ADA	ASME A112.18.1	ASME A112.18.1/CSA B125.1	California Energy Commission (CEC)
cUPC	EPA WaterSense	NSF/ANSI 372	NSF/ANSI/CAN 61
NSF372	NSF61	Water Sense	WaterSense 



LULU Three-hole basin mixer with pop-up waste - Chrome

LULU

20 713 710

Certificates

IAPMO\_N-4

IAPMO\_8834

IAPMO\_6

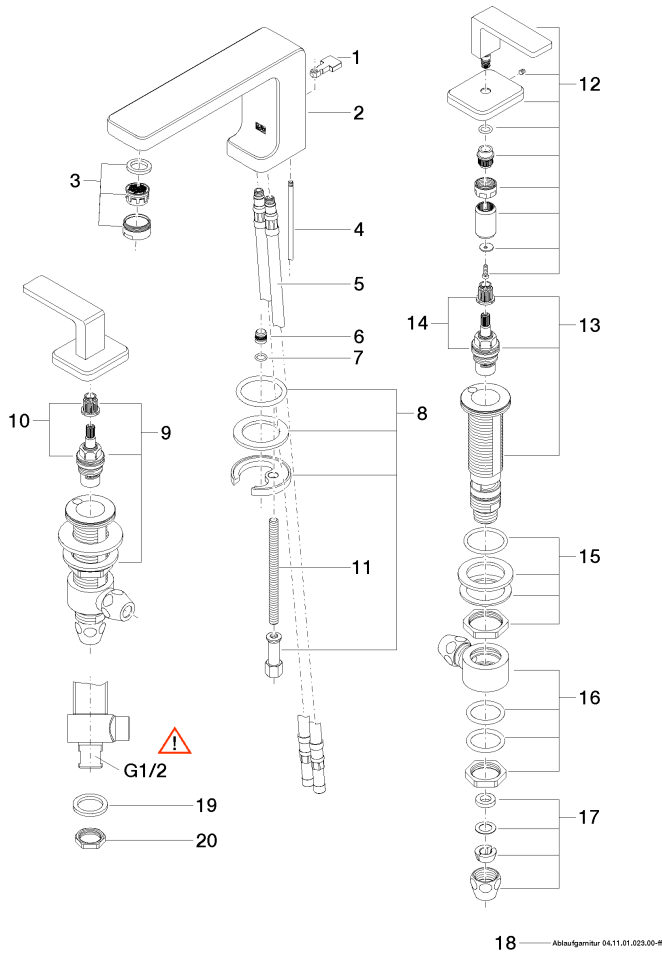
IAPMO\_4976

20 713 710

Product version up to 8/31/2015

Product version from 8/31/2015 to 7/22/2021

**Product version from 8/1/2021**





## LULU Three-hole basin mixer with pop-up waste - Chrome

LULU

20 713 710

### Spare parts list

Product version up to 8/31/2015

Product version from 8/31/2015 to 7/22/2021

#### **Product version from 8/1/2021**

No.	Item Number	Name	Quantity used	Delivery time
	09 20 71 033-00	handle	29	10