

20 713 809



- 168mm projection
- 1 1/4" pop-up waste
- pivotable spout 360°
- circular, air-enriched flow
- height of mixer 280 mm
- height up to aerator 191 mm
- hole diameter valve 32 mm
- hole diameter spout 35 mm
- rosette Ø 60 mm
- max. flow 4.5 l/min
- lead-free
- This product can help a building meet the requirements of Green Building Rating Systems, e.g. LEED®, BREEAM®, DGNB

Only suitable for basins with an overflow.

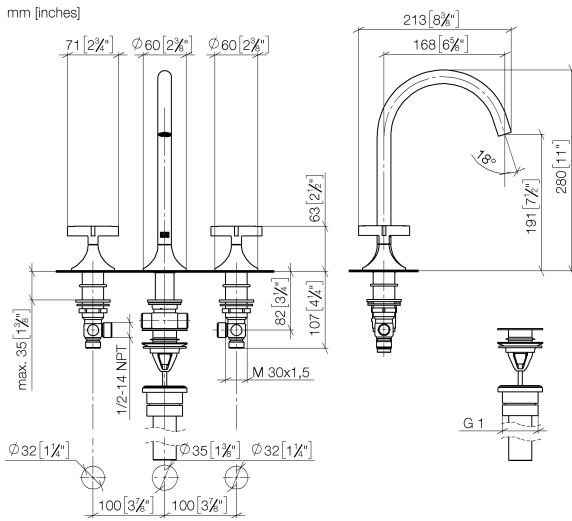
	Platinum	20 713 809-08 0010
	Chrome	20 713 809-00 0010
	Brushed Platinum	20 713 809-06 0010
	Dark Chrome	20 713 809-19 0010
	Brushed Durabronze (23kt Gold)	20 713 809-28 0010
	Brushed Bronze	20 713 809-42 0010
	Brushed Champagne (22kt Gold)	20 713 809-46 0010
	Champagne (22kt Gold)	20 713 809-47 0010
	Brushed Dark Platinum	20 713 809-99 0010



VAIA Three-hole basin mixer with pop-up waste - Platinum

VAIA


20 713 809



Flow rate chart



Codes & Standards

ADA	ASME A112.18.1	ASME A112.18.1/CSA B125.1	California Energy Commission (CEC)
cUPC	EPA WaterSense	NSF/ANSI 372	NSF/ANSI/CAN 61
NSF372	NSF61	Water Sense	WaterSense 



VAIA Three-hole basin mixer with pop-up waste - Platinum

VAIA

20 713 809

Certificates

IAPMO_4976

IAPMO_N-4

IAPMO_8834

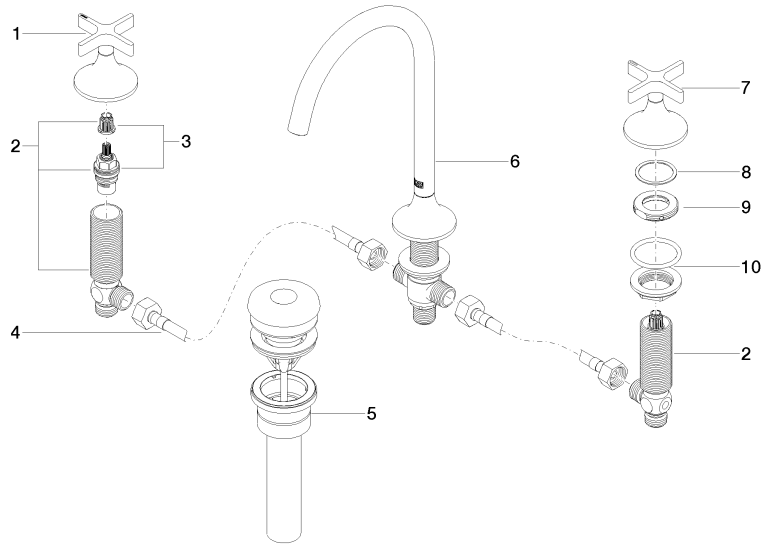
IAPMO_6

20 713 809

Product version from 3/13/2017 to 5/27/2021

Product version from 5/27/2021

Parts for other finishes can be found here: [Chrome](#)





VAIA Three-hole basin mixer with pop-up waste - Platinum

VAIA

20 713 809

Spare parts list

Product version from 3/13/2017 to 5/27/2021

Product version from 5/27/2021

No.	Item Number	Name	Quantity used	Delivery time
	90 20 80 011 00-08	handle (hot)	16	40