

VAIA Three-hole basin mixer with pop-up waste - Brushed Champagne (22kt Gold)


VAIA

20 713 809



- 168mm projection
- 1 1/4" pop-up waste
- pivotable spout 360°
- circular, air-enriched flow
- height of mixer 280 mm
- height up to aerator 191 mm
- hole diameter valve 32 mm
- hole diameter spout 35 mm
- rosette Ø 60 mm
- max. flow 4.5 l/min
- lead-free
- This product can help a building meet the requirements of Green Building Rating Systems, e.g. LEED®, BREEAM®, DGNB

Only suitable for basins with an overflow.

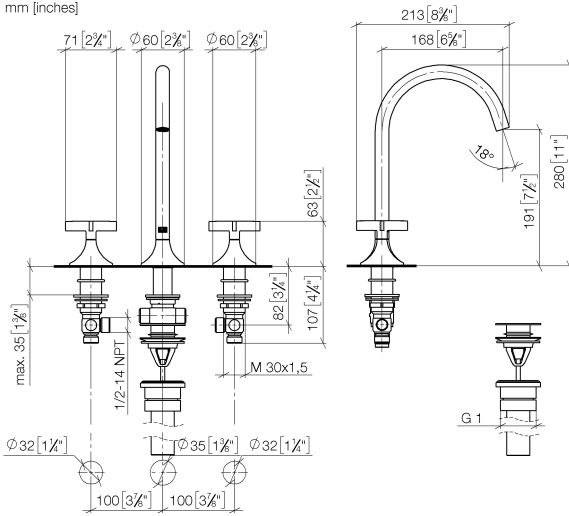
| | | |
|---|--------------------------------|--------------------|
|  | Brushed Champagne (22kt Gold) | 20 713 809-46 0010 |
|  | Chrome | 20 713 809-00 0010 |
|  | Brushed Platinum | 20 713 809-06 0010 |
|  | Platinum | 20 713 809-08 0010 |
|  | Dark Chrome | 20 713 809-19 0010 |
|  | Brushed Durabronze (23kt Gold) | 20 713 809-28 0010 |
|  | Brushed Bronze | 20 713 809-42 0010 |
|  | Champagne (22kt Gold) | 20 713 809-47 0010 |
|  | Brushed Dark Platinum | 20 713 809-99 0010 |



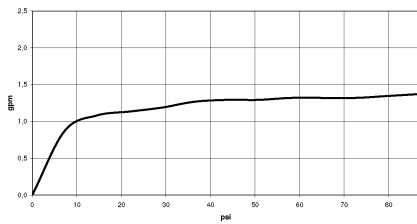
VAIA Three-hole basin mixer with pop-up waste - Brushed Champagne (22kt Gold)

VAIA

20 713 809
mm [inches]



Flow rate chart



Codes & Standards

ADA

ASME
A112.18.1/CSA
B125.1

California Energy
Commission
(CEC)

NSF/ANSI 372

NSF/ANSI/CAN
61



VAIA Three-hole basin mixer with pop-up waste - Brushed Champagne (22kt Gold)

VAIA

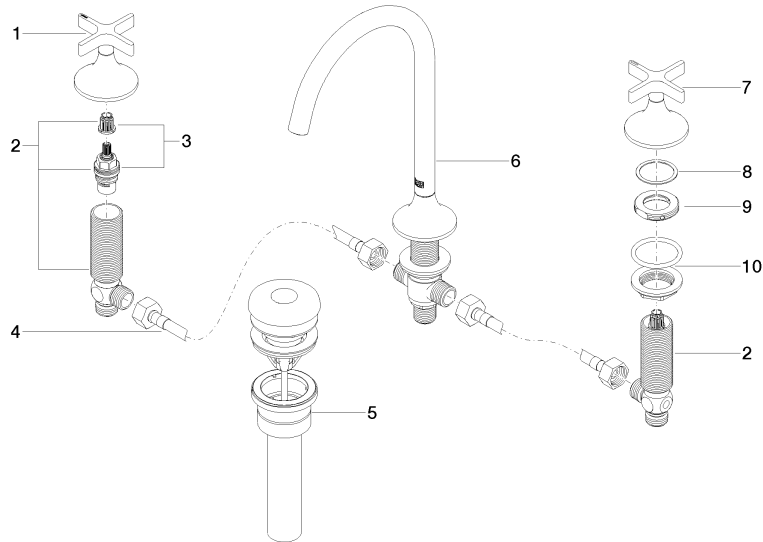
20 713 809

Certificates

IAPMO_N-4976.

IAPMO_6397.

20 713 809
Parts for other
finishes can be found
here: Chrome



Spare parts list

| No. | Item Number | Name | Quantity used | Delivery time |
|-----|--------------------|---|---------------|---------------|
| 1 | 90 20 80 011 00-46 | handle (hot) | 1 | 30 |
| 2 | 04 17 11 055 51 90 | side panel | 2 | 2 |
| 3 | 90 90 03 151 00 90 | top | 2 | 2 |
| 4 | 04 30 04 096 00 90 | hose | 2 | 2 |
| 5 | 10 125 970-46 0010 | Basin Waste 1 1/4" - Brushed Champagne (22kt Gold) | 1 | 30 |
| 6 | 13 716 809-46 0010 | VAIA Deck-mounted basin spout without pop-up waste - Brushed Champagne (22kt Gold) | 1 | 30 |
| 7 | 90 20 80 010 00-46 | handle (cold) | 1 | 30 |
| 8 | 09 28 10 003 90 | ring | 2 | 2 |
| 9 | 09 24 01 028 90 | ring | 2 | 2 |
| 10 | 04 23 10 032 46 90 | fixing set | 2 | 2 |