

20 815 892



- 235mm projection
- pivotable spout 360°
- air-enriched flow
- height of mixer 370 mm
- height up to aerator 212 mm
- hole diameter spout 35 mm
- hole diameter valve 32 mm
- max. flow 5.7 l/min at 3 bar flow pressure
- lead-free
- This product can help a building meet the requirements of Green Building Rating Systems, e.g. LEED®, BREEAM®, DGNB

	Platinum	20 815 892-08 0010
	Chrome	20 815 892-00 0010
	Brushed Platinum	20 815 892-06 0010
	Durabronze (23kt Gold)	20 815 892-09 0010
	Dark Chrome	20 815 892-19 0010
	Brushed Durabronze (23kt Gold)	20 815 892-28 0010
	Matte Black	20 815 892-33 0010
	Brushed Champagne (22kt Gold)	20 815 892-46 0010
	Champagne (22kt Gold)	20 815 892-47 0010
	Brushed Chrome	20 815 892-93 0010
	Brushed Dark Platinum	20 815 892-99 0010

**Recommended miscellaneous**

**AIR SWITCH Control button - Platinum** 10 713 970-08

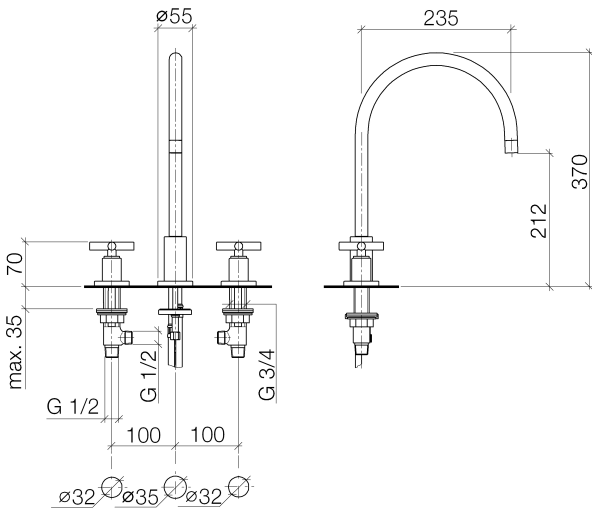


**Recommended miscellaneous**

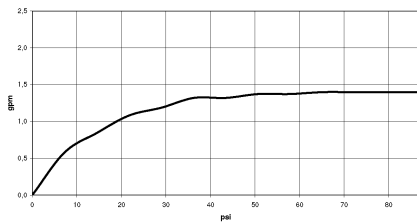
**Dispenser with rosette - Platinum** 82 444 970-08



20 815 892



Flow rate chart



Codes & Standards

ADA	ASME A112.18.1	ASME A112.18.1/CSA B125.1	California Energy Commission (CEC)
cUPC	NSF/ANSI 372	NSF/ANSI/CAN 61	NSF372
NSF61			



TARA Three-hole mixer - Platinum

TARA

20 815 892

Certificates

IAPMO\_N-4

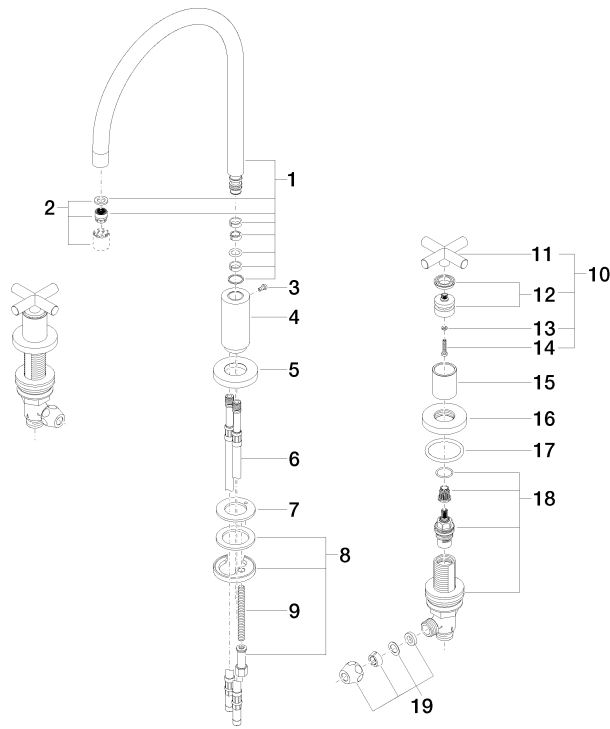
IAPMO\_6

IAPMO\_4976

20 815 892

**Product version from 6/30/2009**

Parts for other finishes can be found here: [Chrome](#)





20 815 892

## **Spare parts list**

**Product version from 6/30/2009**