

22 500 360



- 130mm projection
- 1 1/4" pop-up waste
- fixed spout
- circular, air-enriched flow
- height of mixer 100 mm
- height up to aerator 65 mm
- hole diameter 35 mm
- 2 x pressure hose with 3/8" cap nut
- max. flow 4.5 l/min
- lead-free
- This product can help a building meet the requirements of Green Building Rating Systems, e.g. LEED®, BREEM®, DGNB

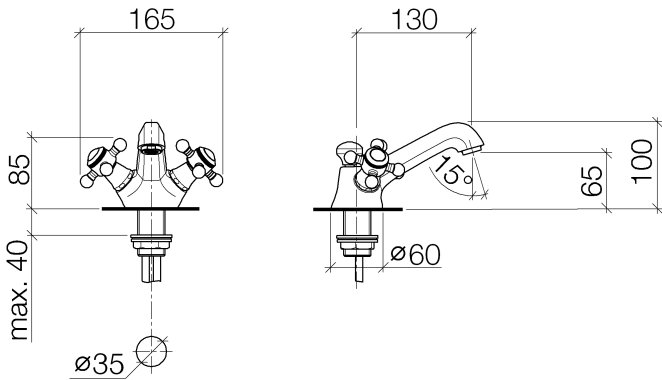
Only suitable for basins with an overflow.



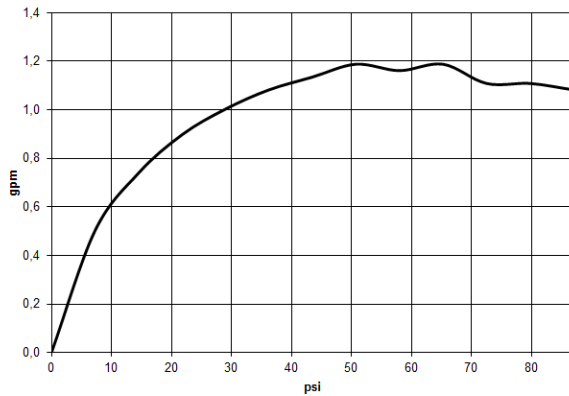
MADISON Single-hole basin mixer with pop-up waste - Chrome

MADISON

22 500 360



Flow rate chart



Codes & Standards

ADA

ASME
A112.18.1/CSA
B125.1

California Energy
Commission
(CEC)

NSF/ANSI 372

NSF/ANSI/CAN
61

NSF372



MADISON Single-hole basin mixer with pop-up waste - Chrome

MADISON

22 500 360

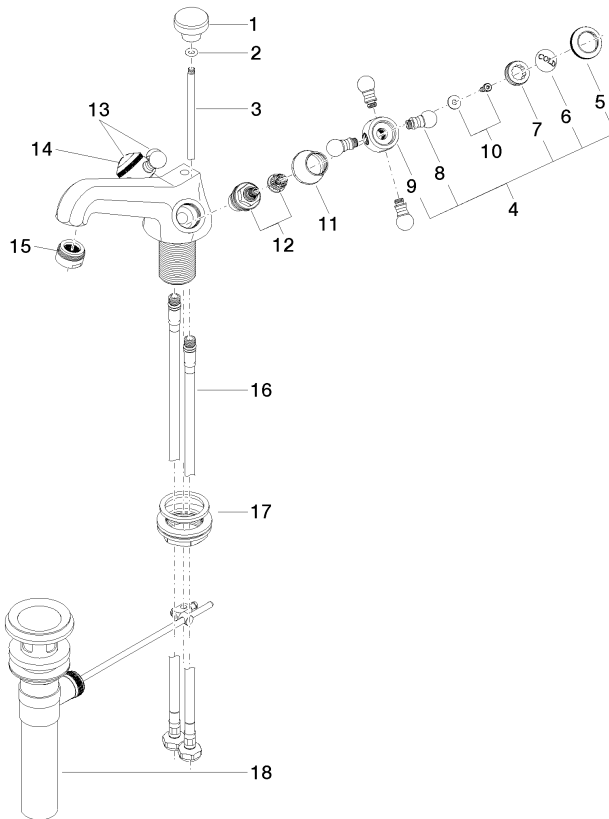
Certificates

IAPMO_6

22 500 360

Product version from 7/31/2009 to 9/7/2021

Product version from 9/1/2021





MADISON Single-hole basin mixer with pop-up waste - Chrome

MADISON

22 500 360

Spare parts list

Product version from 7/31/2009 to 9/7/2021

Product version from 9/1/2021

No.	Item Number	Name	Quantity used	Delivery time
	09 20 36 030-00	handle	32	10