

22 513 892



- 165mm projection
- 1 1/4" pop-up waste
- pivotable spout 360°
- circular, air-enriched flow
- height of mixer 295 mm
- height up to aerator 172 mm
- hole diameter 35 mm
- rosette Ø 59 mm
- 2 x pressure hose with 3/8" cap nut
- max. flow 4.5 l/min
- lead-free
- This product can help a building meet the requirements of Green Building Rating Systems, e.g. LEED®, BREEAM®, DGNB

	Chrome	22 513 892-00 0010
	Brushed Platinum	22 513 892-06 0010
	Platinum	22 513 892-08 0010
	Dark Chrome	22 513 892-19 0010
	Brushed Durabronze (23kt Gold)	22 513 892-28 0010
	Matte Black	22 513 892-33 0010
	Brushed Bronze	22 513 892-42 0010
	Brushed Champagne (22kt Gold)	22 513 892-46 0010
	Champagne (22kt Gold)	22 513 892-47 0010
	Brushed Chrome	22 513 892-93 0010
	Brushed Dark Platinum	22 513 892-99 0010

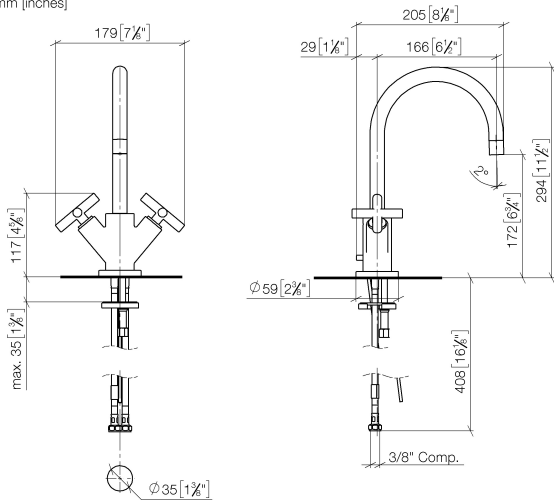


# TARA Single-hole basin mixer with pop-up waste - Chrome

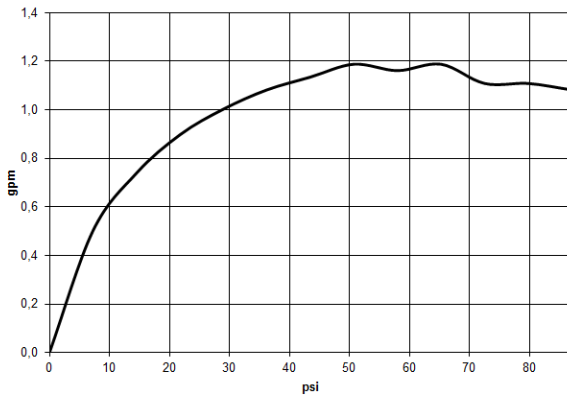
TARA

22 513 892


mm [inches]



## Flow rate chart



## Codes & Standards

ADA	ASME A112.18.1	ASME A112.18.1/CSA B125.1	California Energy Commission (CEC)
cUPC	EPA WaterSense	NSF/ANSI 372	NSF/ANSI/CAN 61
NSF372	NSF61	Water Sense	WaterSense 



TARA Single-hole basin mixer with pop-up waste - Chrome

TARA

22 513 892

Certificates

IAPMO\_N-4

IAPMO\_8834

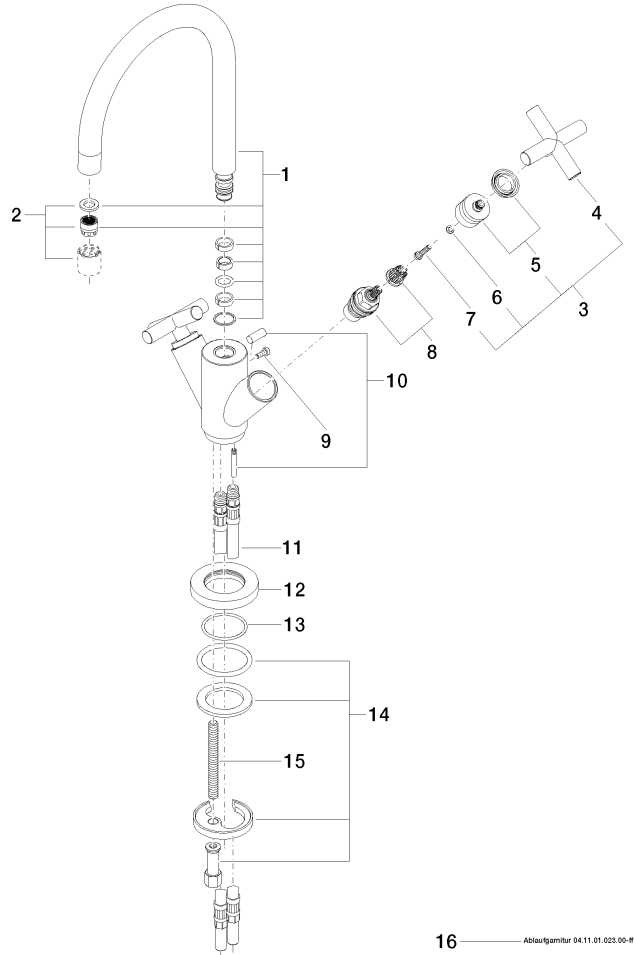
IAPMO\_6

IAPMO\_4976

22 513 892

Product version from 6/30/2009 to 5/27/2021

**Product version from 5/27/2021**



16 Ablaufgarnitur 04.11.01.023.00-#



# TARA Single-hole basin mixer with pop-up waste - Chrome

TARA

22 513 892

## Spare parts list

Product version from 6/30/2009 to 5/27/2021

### Product version from 5/27/2021

No.	Item Number	Name	Quantity used	Delivery time
	90 28 22 213 02-00	spout	23	10