

22 584 660



- 196mm projection
- fixed spout
- circular, air-enriched flow
- total height 1033 - 1103 mm
- height up to aerator 951 – 1021 mm
- rosette Ø 135 mm
- max. flow 4.5 l/min
- lead-free
- This product can help a building meet the requirements of Green Building Rating Systems, e.g. LEED®, BREEAM®, DGNB

	Chrome	22 584 660-00 0010
	Brushed Platinum	22 584 660-06 0010
	Light Gold	22 584 660-26 0010
	Brushed Light Gold	22 584 660-27 0010
	Matte Black	22 584 660-33 0010
	Brushed Bronze	22 584 660-42 0010
	Brushed Champagne (22kt Gold)	22 584 660-46 0010
	Champagne (22kt Gold)	22 584 660-47 0010
	Brushed Chrome	22 584 660-93 0010
	Brushed Dark Platinum	22 584 660-99 0010

Required miscellaneous



- Concealed floor mounting -** 35 949 970-90
- max. recess depth 150 mm 0010
 - min. recess depth 80 mm

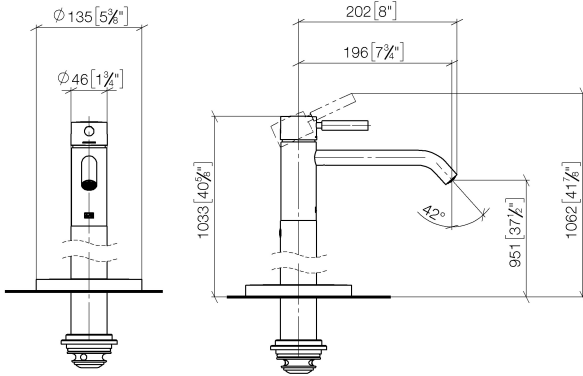


META Single-lever basin mixer with stand pipe without pop-up waste - Chrome

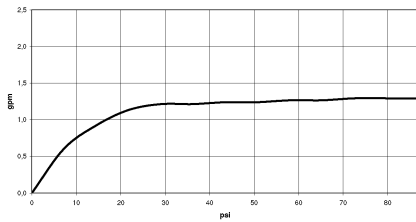
META

22 584 660

mm [inches]



Flow rate chart



Codes & Standards

California Energy
Commission
(CEC)

EPA WaterSense

Water Sense

WaterSense





META Single-lever basin mixer with stand pipe without pop-up waste - Chrome

META

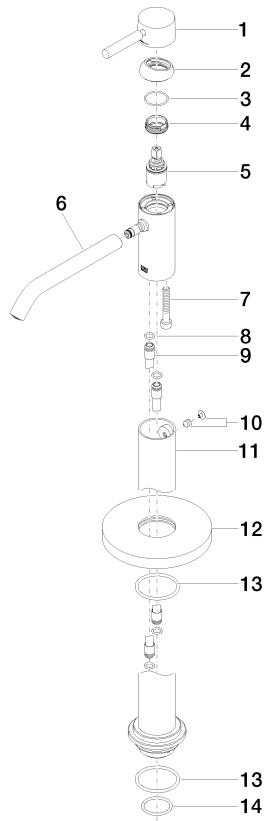
22 584 660

Certificates

IAPMO_8834

22 584 660

Product version from 5/1/2022





META Single-lever basin mixer with stand pipe without pop-up waste - Chrome

META

22 584 660

Spare parts list

Product version from 5/1/2022

No.	Item Number	Name	Quantity used	Delivery time
	90 20 66 002 00-00	handle	17	10