

META Single-lever basin mixer with stand pipe without pop-up waste - Brushed Chrome

META

22 584 661



- 202mm projection
- circular, air-enriched flow
- total height 1197 - 1267 mm
- height up to water outlet point 1098 mm
- rosette Ø 135 mm
- max. flow 4.5 l/min
- lead-free
- This product can help a building meet the requirements of Green Building Rating Systems, e.g. LEED®, BREEAM®, DGNB
- pivoting spout

	Brushed Chrome	22 584 661-93 0010
	Chrome	22 584 661-00 0010
	Brushed Platinum	22 584 661-06 0010
	Light Gold	22 584 661-26 0010
	Brushed Light Gold	22 584 661-27 0010
	Matte Black	22 584 661-33 0010
	Brushed Bronze	22 584 661-42 0010
	Brushed Champagne (22kt Gold)	22 584 661-46 0010
	Champagne (22kt Gold)	22 584 661-47 0010
	Brushed Dark Platinum	22 584 661-99 0010

Required miscellaneous



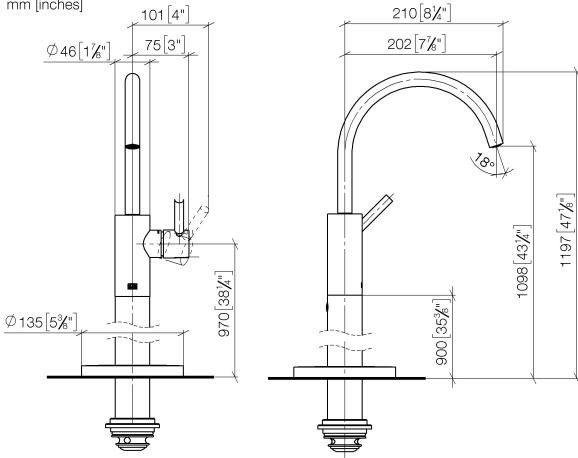
- Concealed floor mounting -** 35 949 970-90
 ●max. recess depth 150 mm 0010
 ●min. recess depth 80 mm



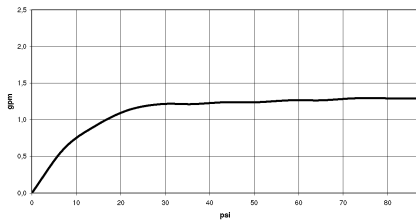
META Single-lever basin mixer with stand pipe without pop-up waste - Brushed Chrome

META

22 584 661
mm [inches]



Flow rate chart



Codes & Standards

California Energy
Commission
(CEC)

EPA WaterSense

Water Sense

WaterSense





META Single-lever basin mixer with stand pipe without pop-up waste - Brushed
Chrome

META

22 584 661
Certificates

IAPMO_8834

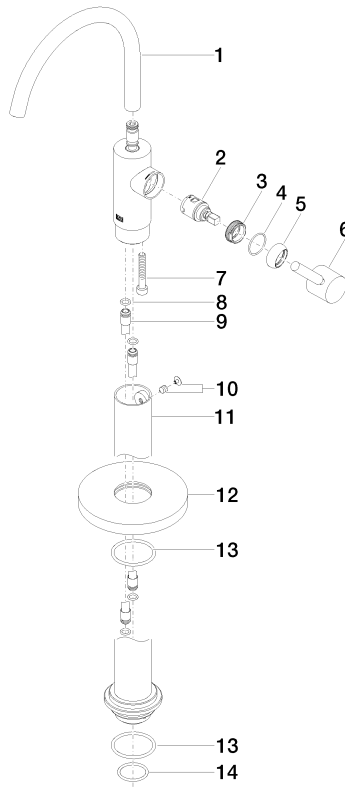


META Single-lever basin mixer with stand pipe without pop-up waste - Brushed Chrome

META

22 584 661

Product version from 5/1/2022





META Single-lever basin mixer with stand pipe without pop-up waste - Brushed Chrome

META

22 584 661

Spare parts list

Product version from 5/1/2022

No.	Item Number	Name	Quantity used	Delivery time
	90 28 22 313 01-93	spout	17	-

Spare part can no longer be ordered, please order the replacement item