

**TARA Single-hole basin mixer with stand pipe without pop-up waste -  
Champagne (22kt Gold)**

TARA

22 585 892



- 201mm projection
- pivotable spout 360°
- circular, air-enriched flow
- total height 1095 - 1166 mm
- height up to aerator 1025 – 1095 mm
- rosette Ø 135 mm
- max. flow 4.5 l/min
- lead-free
- This product can help a building meet the requirements of Green Building Rating Systems, e.g. LEED®, BREEAM®, DGNB

	Champagne (22kt Gold)	22 585 892-47 0010
	Chrome	22 585 892-00 0010
	Brushed Platinum	22 585 892-06 0010
	Platinum	22 585 892-08 0010
	Dark Chrome	22 585 892-19 0010
	Brushed Durabronze (23kt Gold)	22 585 892-28 0010
	Matte Black	22 585 892-33 0010
	Brushed Champagne (22kt Gold)	22 585 892-46 0010
	Brushed Chrome	22 585 892-93 0010
	Brushed Dark Platinum	22 585 892-99 0010

**Required miscellaneous**



- Concealed floor mounting -**
- max. recess depth 150 mm
  - min. recess depth 80 mm

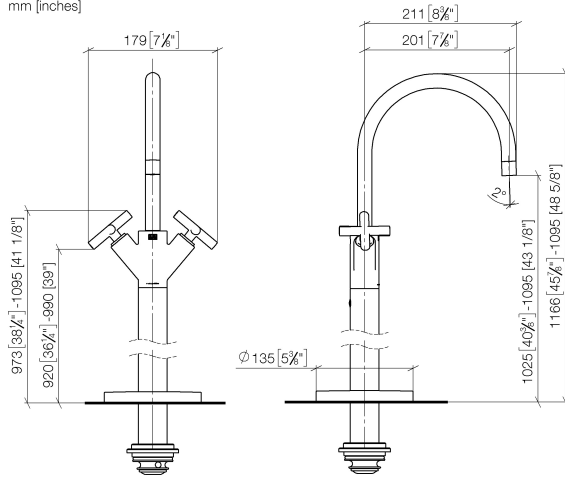
35 949 970-90  
0010



# TARA Single-hole basin mixer with stand pipe without pop-up waste - Champagne (22kt Gold)

TARA

22 585 892  
mm [inches]



## Flow rate chart



## Codes & Standards

California Energy  
Commission  
(CEC)

Water Sense





TARA Single-hole basin mixer with stand pipe without pop-up waste -  
Champagne (22kt Gold)

---

TARA

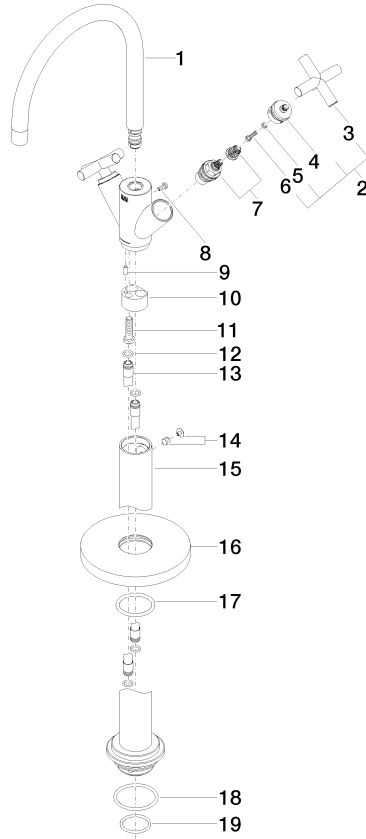
22 585 892

Certificates

---

IAPMO\_8834 (2).    IAPMO\_N-4976.    IAPMO\_4976 (7).    IAPMO\_6397.

22 585 892



### Spare parts list

No.	Item Number	Name	Quantity used	Delivery time
1	90 28 22 214 03-47	spout	1	30
2	90 20 89 010 10-47	handle	2	30
3	09 20 89 010-47	handle	2	60
4	90 12 12 219 00-47	base	2	30
5	90 30 11 029 00 90	disc	2	2
6	90 30 30 075 00 90	screw	2	2
7	90 90 03 151 00 90	top	2	2
8	09 30 30 054 90	screw	1	2
9	09 31 11 040 90	pin	1	2
10	09 24 03 193 90	adaptor	1	2
11	09 30 30 047 90	screw	1	2
12	09 14 10 139 90	seal	4	2
13	04 28 22 022 10 90	connection	2	2
14	04 31 11 002 00 90	pin	1	2
15	04 28 22 028 00-47	pipe	1	60
16	09 27 88 011-47	rosette	1	60
17	90 14 10 043 00 90	seal	1	2
18	09 14 10 084 90	seal	1	2
19	09 14 10 018 90	seal	1	2