

TARA Bath mixer for wall mounting with hand shower set - Dark Chrome

25 133 882



- spout: circular, air-enriched flow
- max. flow 22 l/min at 3 bar flow pressure
- Hand shower: COMPACT RAIN, max. flow rate 6.8 l/min (at 3 bar)
- complete hand shower set with anti-scale system
- 240mm projection
- rotary diverter for bath/shower
- slide-on rosettes Ø 65 mm
- rosette for shower holder Ø 50mm
- 1/2" connection
- gauge 150 mm - 15 mm
- metal shower hose 1250mm with integrated anti-twist protection
- WRAS

Note: Local building codes may require the use of an anti-scald device. Please refer to remote pressure balance valve (35 910 970 90) Intrinsic protection against back flow.

Stand pipes combination possible on request (special production).

Note: Local building codes may require the use of an anti-scald device. Please refer to remote pressure balance valve (35 910 970 90)

Intrinsic protection against back flow.

Stand pipes combination possible on request (special production).

	Dark Chrome	25 133 882-19
	Chrome	25 133 882-00
	Brushed Platinum	25 133 882-06
	Platinum	25 133 882-08
	Brushed Durabronze (23kt Gold)	25 133 882-28
	Matte Black	25 133 882-33
	Brushed Champagne (22kt Gold)	25 133 882-46
	Champagne (22kt Gold)	25 133 882-47
	Brushed Chrome	25 133 882-93
	Brushed Dark Platinum	25 133 882-99

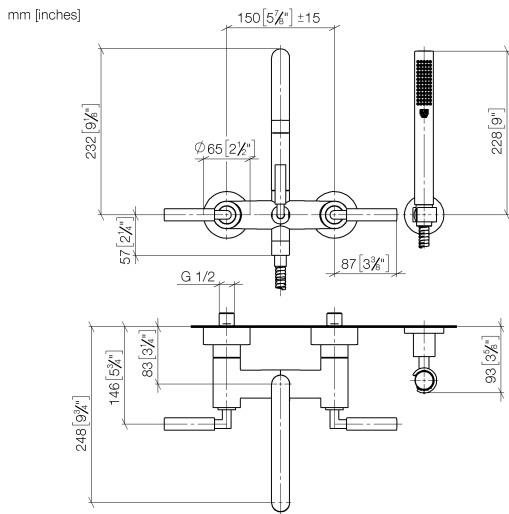
Required miscellaneous



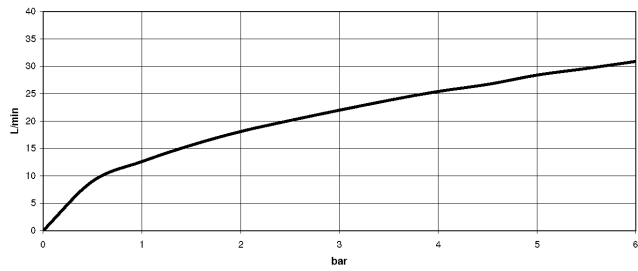
- Concealed adapter -** 35 080 970-90
- please order two adapters (USA only) 0010

TARA Bath mixer for wall mounting with hand shower set - Dark Chrome

25 133 882



Flow rate chart



Codes & Standards

DIN 4109

ISO 3822

Scottish Water
Byelaws

UK Water Supply
Regulations

Ü-Zeichen



TARA Bath mixer for wall mounting with hand shower set - Dark Chrome

25 133 882

Certificates

WRAS_2210

LGA_18

TARA Bath mixer for wall mounting with hand shower set - Dark Chrome

25 133 882

