



LULU Single-lever bath mixer with stand pipe for free-standing assembly with hand shower set - Brushed Platinum

LULU

25 863 710



- spout: circular, air-enriched flow
- max. flow 26.4 l/min at 3 bar flow pressure
- Hand shower: COMPACT RAIN, max. flow rate 6.8 l/min (at 3 bar)
- bar-type hand shower with anti-scale system
- wall bracket
- automatic bath/shower diverter
- 215mm projection
- total height 932 - 1002 mm
- stand pipe height 598 - 668 mm
- height up to aerator 825 – 895 mm
- push-on rosette 131 x 131 mm
- metal shower hose 1250mm with integrated anti-twist protection
- WRAS 2003006

	Brushed Platinum	25 863 710-06
	Chrome	25 863 710-00

Note: Local building codes may require the use of an anti-scald device. Please refer to remote pressure balance valve (35 910 970 90) Intrinsic protection against back flow.

Note: Local building codes may require the use of an anti-scald device. Please refer to remote pressure balance valve (35 910 970 90)

Intrinsic protection against back flow.

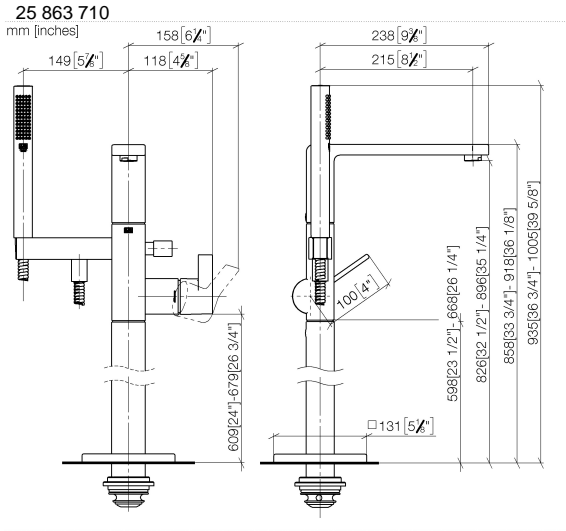
Required miscellaneous



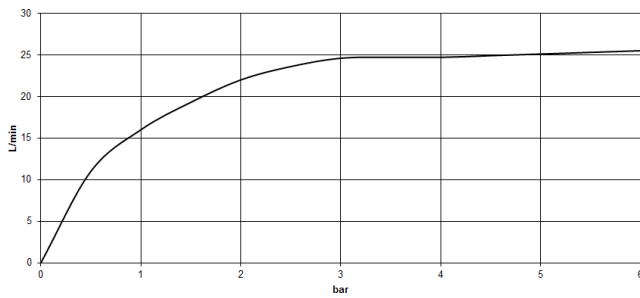
- Concealed floor mounting -** 35 949 970-90
- max. recess depth 150 mm
 - min. recess depth 80 mm

LULU Single-lever bath mixer with stand pipe for free-standing assembly with hand shower set - Brushed Platinum

LULU



Flow rate chart



Codes & Standards

ASME A112.18.1	ASME A112.18.1/CSA B125.1	California Energy Commission (CEC)	cUPC
DIN 4109	EN 1717	ISO 3822	Scottish Water Byelaws
UK Water Supply Regulations	Ü-Zeichen		



LULU Single-lever bath mixer with stand pipe for free-standing assembly with hand shower set - Brushed Platinum

LULU

25 863 710

Certificates

IAPMO_4976

Belgaqua_19_77

WRAS_2003

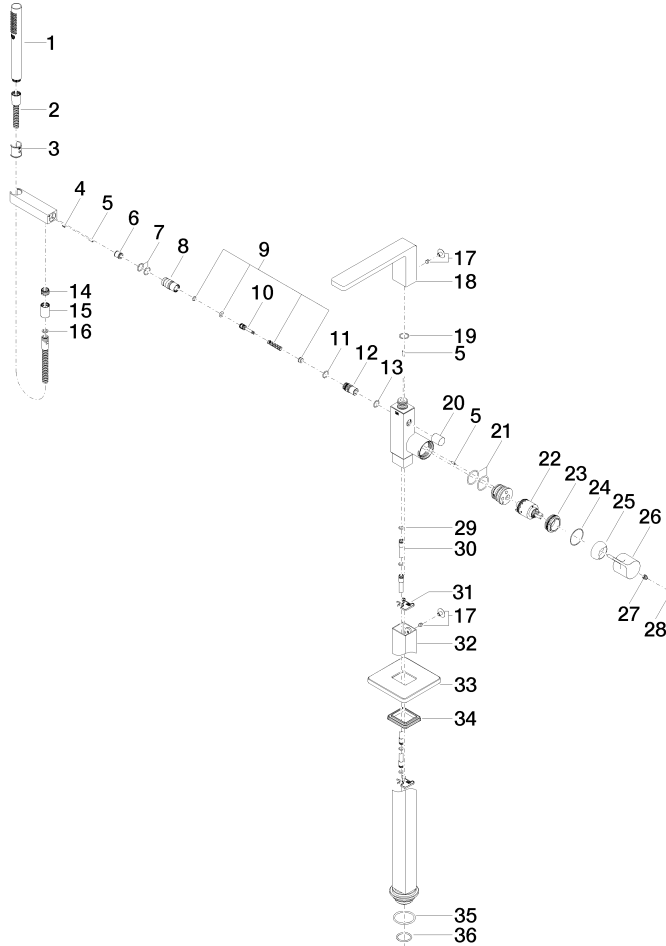
LGA_29

Belgaqua_24-003-2

LULU Single-lever bath mixer with stand pipe for free-standing assembly with hand shower set - Brushed Platinum

LULU

25 863 710





LULU Single-lever bath mixer with stand pipe for free-standing assembly with hand shower set - Brushed Platinum

LULU

25 863 710

Spare parts list

No.	Item Number	Name	Quantity used	Delivery time
	90 12 11 140 30-06	shower	44	10