

26 622 892



- shower with fixed riser projection 420mm
- overhead shower: rain flow
- rain shower Ø 300 mm
- rain shower with anti-scale system
- max. rainshower flow 6.8 l/min
- Function from: 6.5 l/min
- rotary diverter for fixed-riser shower/hand shower
- height of fittings up to rain shower (bottom edge) 850mm
- height of fittings up to top edge of elbow 1167mm
- rosette for shower holder Ø 55mm
- rosette for wall mounting Ø 57mm
- rosette for shower mixer Ø 65mm
- gauge 150 mm - 13 mm
- 1500 mm metal shower hose
- 1/2" connection
- Pipe diameter 20 mm
- quick clearing

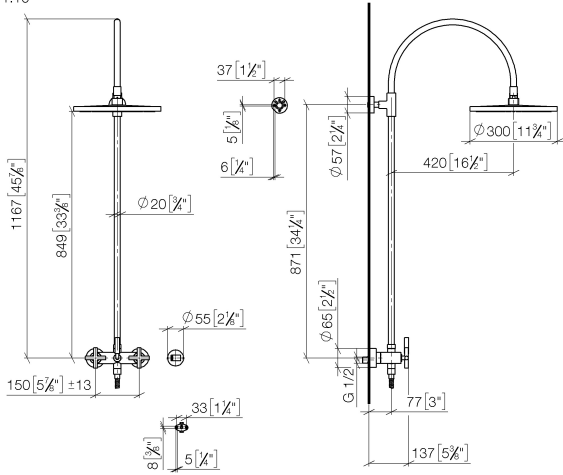
This article does not include a hand shower!

Intrinsic protection against back flow.

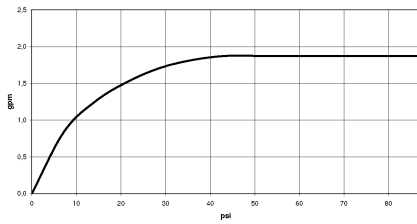
| | | |
|---|--------------------------------|--------------------|
|  | Matte Black | 26 622 892-33 0010 |
|  | Chrome | 26 622 892-00 0010 |
|  | Brushed Platinum | 26 622 892-06 0010 |
|  | Platinum | 26 622 892-08 0010 |
|  | Dark Chrome | 26 622 892-19 0010 |
|  | Brushed Durabronze (23kt Gold) | 26 622 892-28 0010 |
|  | Brushed Champagne (22kt Gold) | 26 622 892-46 0010 |
|  | Champagne (22kt Gold) | 26 622 892-47 0010 |
|  | Brushed Chrome | 26 622 892-93 0010 |
|  | Brushed Dark Platinum | 26 622 892-99 0010 |

26 622 892

mm [inches]
1.10

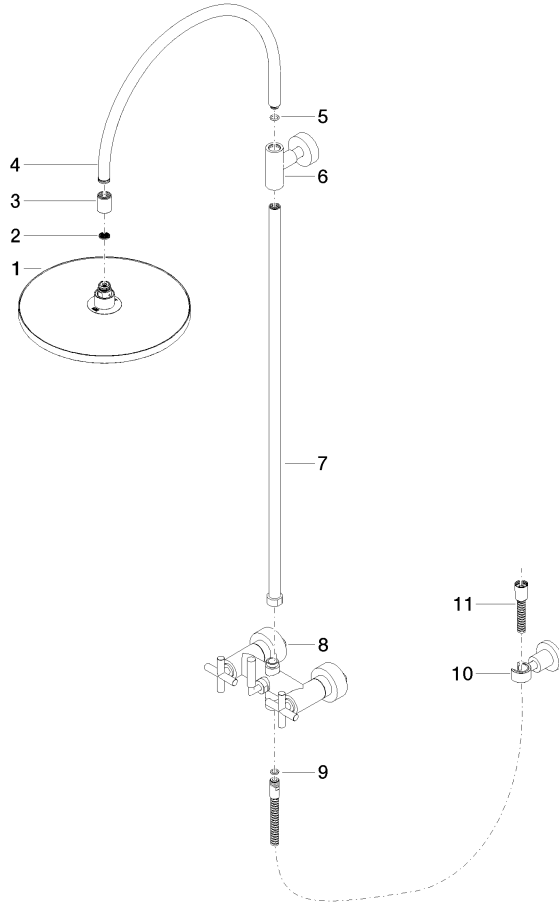


Flow rate chart



26 622 892

Parts for other finishes can be found here: [Chrome](#)





TARA Shower pipe 300 mm - Matte Black

TARA

26 622 892

Spare parts list

| No. | Item Number | Name | Quantity used | Delivery time |
|-----|--------------------|--------|---------------|---------------|
| | 04 12 05 091 10-33 | shower | 11 | 30 |