

26 632 360



- shower with fixed riser projection 420mm
- overhead shower: rain flow
- rain shower Ø 200 mm
- rain shower with anti-scale system
- max. rainshower flow 6.8 l/min
- rotary diverter for fixed-riser shower/hand shower
- height of fittings up to top edge of elbow 1180mm
- height of fittings up to rain shower (bottom edge) 1009mm
- rosette for shower holder Ø 66mm
- rosette for wall mounting Ø 70mm
- rosette for shower mixer Ø 60mm
- gauge 150 mm - 13 mm
- metal shower hose 1250mm with integrated anti-twist protection
- 1/2" connection
- Pipe diameter 20 mm
- This product reduces water consumption by % (compared to requirements of EAct '92)
- This product can contribute to Water Use Reduction in LEED® Green Building Rating
- This product can help a building meet the requirements of Green Building Rating Systems, e.g. LEED®, BREEAM®, DGNB

**Note: Local building codes may require the use of an anti-scald device. Please refer to remote pressure balance valve (35 910 970 90) Intrinsic protection against back flow.**

**NOTE: Hand shower sold separately. Please see hand shower options under the miscellaneous articles section of each series.**

Note: Local building codes may require the use of an anti-scald device. Please refer to remote pressure balance valve (35 910 970 90)

Intrinsic protection against back flow.

NOTE: Hand shower sold separately. Please see hand shower options under the miscellaneous articles section of each series.

|  |                               |                    |
|--|-------------------------------|--------------------|
|  | Brushed Platinum              | 26 632 360-06 0010 |
|  | Chrome                        | 26 632 360-00 0010 |
|  | Platinum                      | 26 632 360-08 0010 |
|  | Durabrace (23kt Gold)         | 26 632 360-09 0010 |
|  | Brushed Durabrace (23kt Gold) | 26 632 360-28 0010 |
|  | Brushed Dark Platinum         | 26 632 360-99 0010 |

## Required miscellaneous

|  |   |                    |
|--|---|--------------------|
|  | <b>Concealed adapter -</b><br>•please order two adapters (USA only) | 35 080 970-90 0010 |
|--|---|--------------------|

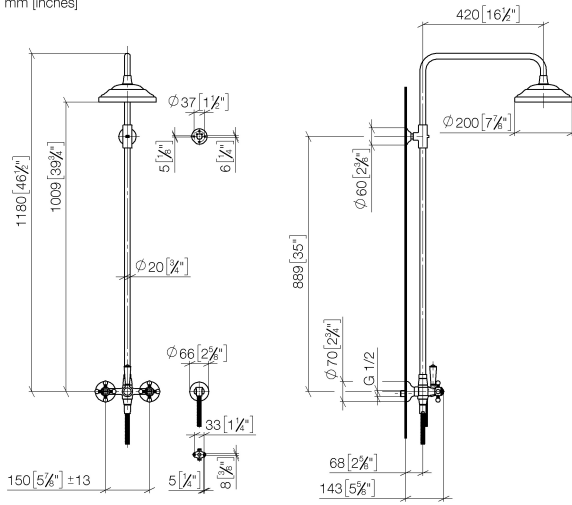
## Required miscellaneous

|  |  |                    |
|--|--|--------------------|
|  | <b>MADISON Metal hand shower with porcelain insert (white) FlowReduce - Brushed Platinum</b> | 28 002 970-06 0010 |
|--|--|--------------------|

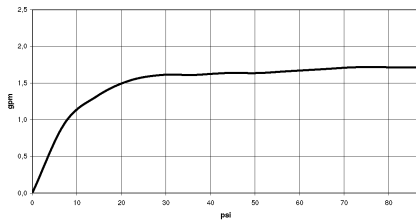
## Required miscellaneous

|  |  |                    |
|--|--|--------------------|
|  | <b>MADISON Hand shower FlowReduce - Brushed Platinum</b><br>•spray head Ø 95mm<br>•Hand shower see page {PAGE}<br>•Three settings: COMPACT RAIN, COMPACT SOFT FLOW, COMPACT AQUAPRESSURE FLOW, max. flow rate l/min (at 3 bar) | 28 002 978-06 0010 |
|--|--|--------------------|

26 632 360  
mm [inches]



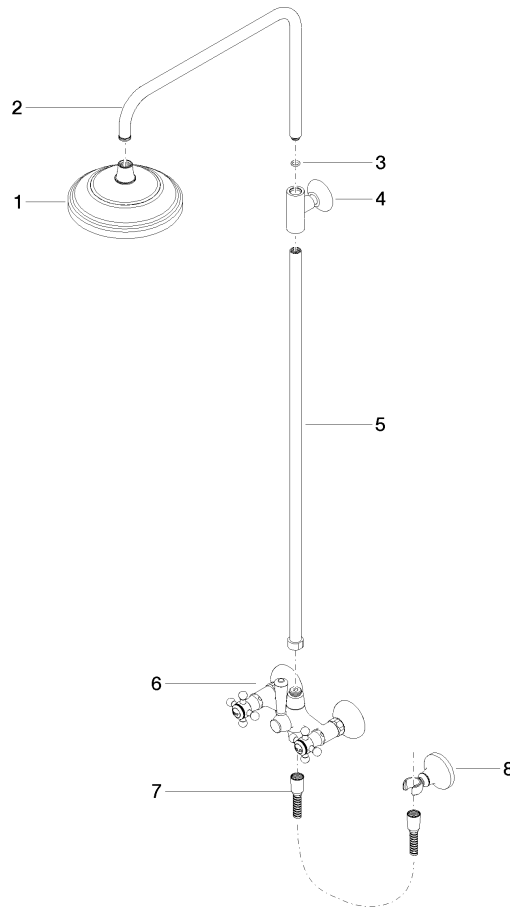
**Flow rate chart**



**Codes & Standards**

California Energy  
Commission  
(CEC)

26 632 360



**Spare parts list**

| No.  | Item Number        | Name  | Quantity used | Delivery time |
|--|--------------------|---|---------------|---------------|
| 1  | 04 12 05 038 30-06 | shower  | 1             | 10            |
| 2  | 04 28 22 101 20-06 | spout   | 1             | 10            |
| 3  | 90 14 10 011 00 90 | seal  | 1             | 2             |
| 4  | 90 17 11 033 00-06 | holder  | 1             | -             |
| Spare part can no longer be ordered, please order the replacement item |                    |   |               |               |
| 5  | 90 28 22 096 00-06 | pipe  | 1             | 10            |
| 6  | 04 17 10 001 00-06 | fitting   | 1             | 60            |
| 7  | 28 104 970-06      | Metal shower hose 1/2" x 1/2" x 1250 mm - Brushed<br>Platinum | 1             | 2             |
| 8  | 28 050 410-06      | holder  | 1             | 60            |