

26 632 809



- shower with fixed riser projection 450mm
 - Rain shower: PURE RAIN, max. flow rate 6.8 l/min (at 3 bar)
 - rain shower Ø 300 mm
 - rain shower with anti-scale system
 - rotary diverter for fixed-riser shower/hand shower
 - height of fittings up to rain shower (bottom edge) 960mm
 - height of fittings up to top edge of elbow 1262mm
 - rosette for shower holder Ø 60mm
 - slide-on rosettes Ø 60 mm
 - gauge 150 mm - 13 mm
 - 1500 mm metal shower hose
 - 1/2" connection
 - Pipe diameter 23.5 mm
 - quick clearing
 - This product reduces water consumption by % (compared to requirements of EPAAct '92)
 - This product can contribute to Water Use Reduction in LEED® Green Building Rating
- Note: Local building codes may require the use of an anti-scald device. Please refer to remote pressure balance valve (35 910 970 90) Intrinsic protection against back flow.**

	Brushed Platinum	26 632 809-06 0010
	Chrome	26 632 809-00 0010
	Platinum	26 632 809-08 0010
	Dark Chrome	26 632 809-19 0010
	Brushed Durabronze (23kt Gold)	26 632 809-28 0010
	Brushed Champagne (22kt Gold)	26 632 809-46 0010
	Champagne (22kt Gold)	26 632 809-47 0010
	Brushed Dark Platinum	26 632 809-99 0010

NOTE: Hand shower sold separately. Please see hand shower options under the miscellaneous articles section of each series.

Note: Local building codes may require the use of an anti-scald device. Please refer to remote pressure balance valve (35 910 970 90)

Intrinsic protection against back flow.

NOTE: Hand shower sold separately. Please see hand shower options under the miscellaneous articles section of each series.

Required miscellaneous

	Concealed adapter - •please order two adapters (USA only)	35 080 970-90 0010
--	---	--------------------

Required miscellaneous

	Hand shower FlowReduce - Brushed Platinum	28 016 979-06 0010
--	--	--------------------

Required miscellaneous

	Hand shower FlowReduce - Brushed Platinum	28 012 979-06 0010
--	--	--------------------

Required miscellaneous

	Hand shower FlowReduce - Brushed Platinum	28 018 979-06 0010
--	--	--------------------

Required miscellaneous

	SERIES-VARIOUS Hand shower - Brushed Platinum	28 029 979-06 0010
--	--	--------------------

Required miscellaneous

	SERIES-VARIOUS Hand shower - Brushed Platinum	28 027 979-06 0010
--	--	--------------------

Required miscellaneous

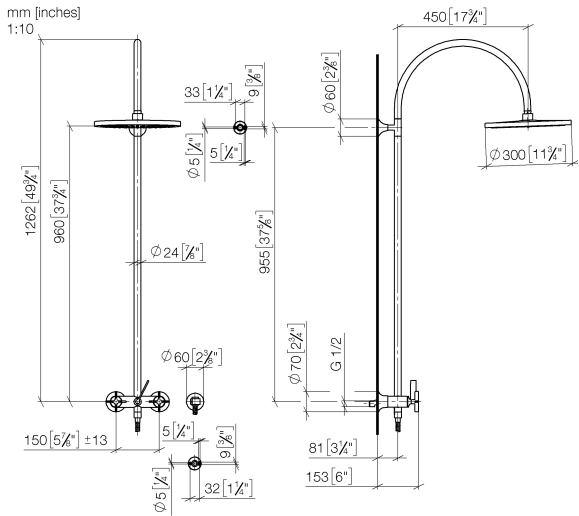
	SERIES-VARIOUS Hand shower - Brushed Platinum	28 025 979-06 0010
--	--	--------------------



VAIA Showerpipe with shower mixer without hand shower - Brushed Platinum

VAIA

26 632 809



Flow rate chart



Codes & Standards

California Energy
Commission
(CEC)

EPA WaterSense

Water Sense

WaterSense





VAIA Showerpipe with shower mixer without hand shower - Brushed Platinum

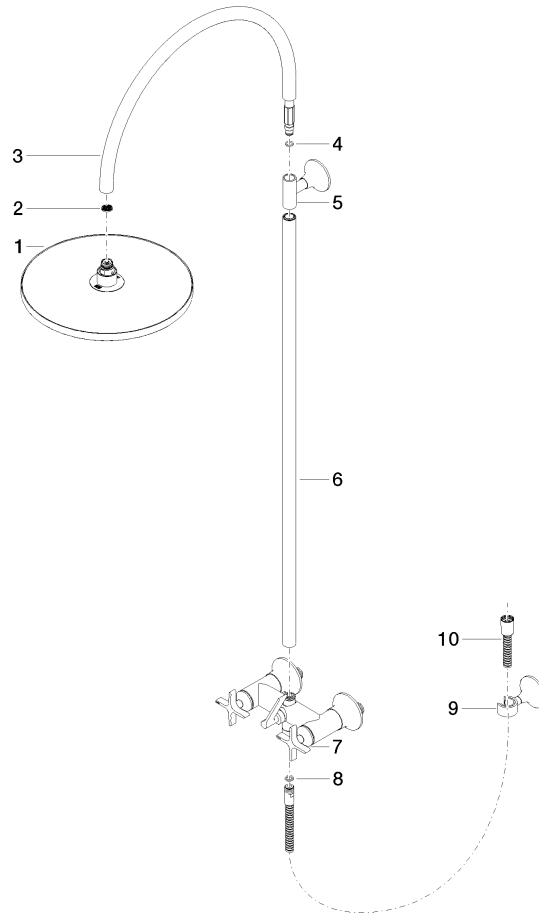
VAIA

26 632 809

Certificates

IAPMO_11

26 632 809





VAIA Showerpipe with shower mixer without hand shower - Brushed Platinum

VAIA

26 632 809

Spare parts list

No.	Item Number	Name	Quantity used	Delivery time
	04 12 05 091 10-06	shower	10	10