

26 632 809



- shower with fixed riser projection 450mm
  - Rain shower: PURE RAIN, max. flow rate 6.8 l/min (at 3 bar)
  - rain shower Ø 300 mm
  - rain shower with anti-scale system
  - rotary diverter for fixed-riser shower/hand shower
  - height of fittings up to rain shower (bottom edge) 960mm
  - height of fittings up to top edge of elbow 1262mm
  - rosette for shower holder Ø 60mm
  - slide-on rosettes Ø 60 mm
  - gauge 150 mm - 13 mm
  - 1500 mm metal shower hose
  - 1/2" connection
  - Pipe diameter 23.5 mm
  - quick clearing
  - This product reduces water consumption by % (compared to requirements of EPAAct '92)
  - This product can contribute to Water Use Reduction in LEED® Green Building Rating
- Note: Local building codes may require the use of an anti-scald device. Please refer to remote pressure balance valve (35 910 970 90) Intrinsic protection against back flow.**

	Platinum	26 632 809-08 0010
	Chrome	26 632 809-00 0010
	Brushed Platinum	26 632 809-06 0010
	Dark Chrome	26 632 809-19 0010
	Brushed Durabronze (23kt Gold)	26 632 809-28 0010
	Brushed Champagne (22kt Gold)	26 632 809-46 0010
	Champagne (22kt Gold)	26 632 809-47 0010
	Brushed Dark Platinum	26 632 809-99 0010

**NOTE: Hand shower sold separately. Please see hand shower options under the miscellaneous articles section of each series.**

Note: Local building codes may require the use of an anti-scald device. Please refer to remote pressure balance valve (35 910 970 90)

Intrinsic protection against back flow.

NOTE: Hand shower sold separately. Please see hand shower options under the miscellaneous articles section of each series.

Required miscellaneous

	<b>Concealed adapter -</b> •please order two adapters (USA only)	35 080 970-90 0010
--	---	--------------------

Required miscellaneous

	<b>Hand shower FlowReduce - Platinum</b>	28 016 979-08 0010
--	--	--------------------

Required miscellaneous

	<b>SERIES-VARIOUS Hand shower - Platinum</b>	28 029 979-08 0010
--	--	--------------------

Required miscellaneous

	<b>SERIES-VARIOUS Hand shower - Platinum</b>	28 025 979-08 0010
--	--	--------------------

Required miscellaneous

	<b>Hand shower FlowReduce - Platinum</b>	28 012 979-08 0010
--	--	--------------------

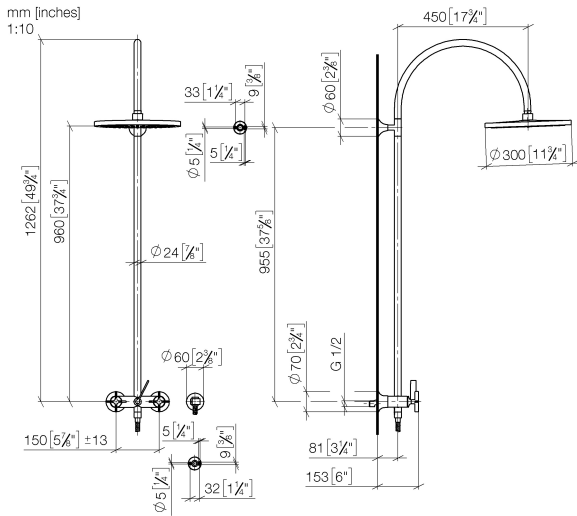
Required miscellaneous

	<b>Hand shower FlowReduce - Platinum</b>	28 018 979-08 0010
--	--	--------------------

Required miscellaneous

	<b>SERIES-VARIOUS Hand shower - Platinum</b>	28 027 979-08 0010
--	--	--------------------

26 632 809



Flow rate chart



Codes & Standards

California Energy  
Commission  
(CEC)

EPA WaterSense

Water Sense

WaterSense





## VAIA Showerpipe with shower mixer without hand shower - Platinum

---

VAIA

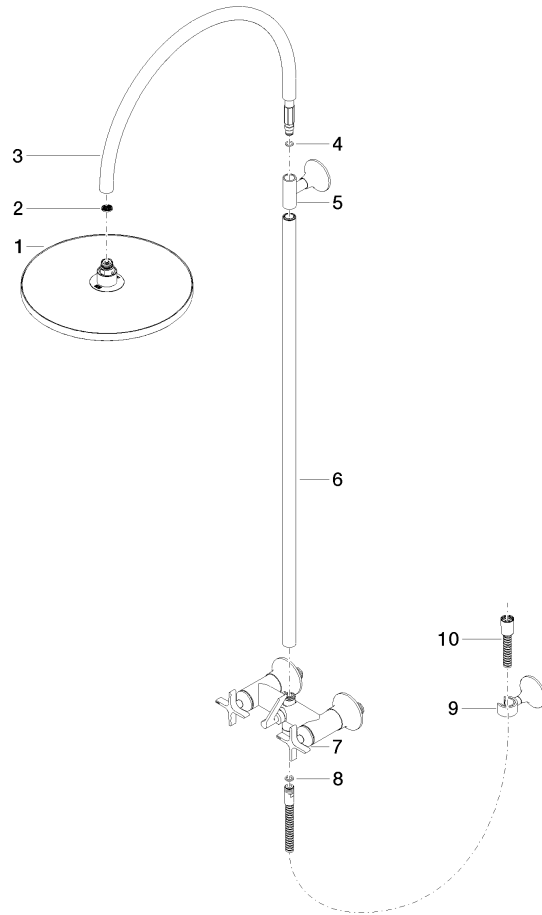
26 632 809

Certificates

---

IAPMO\_11

26 632 809





## VAIA Showerpipe with shower mixer without hand shower - Platinum

VAIA

26 632 809

### Spare parts list

No.	Item Number	Name	Quantity used	Delivery time
	04 12 05 091 10-08	shower	10	40