

27 802 660



Fits: TARA, VAIA, META

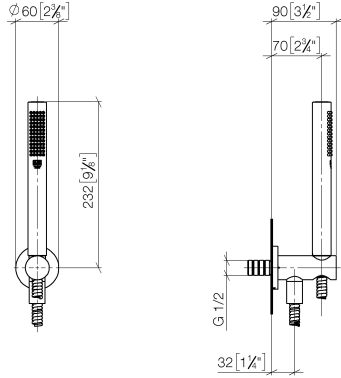
- COMPACT RAIN, max. flow rate 6.8 l/min (at 3 bar)
- with anti-scale system
- 3/8" shower outlet
- metal shower hose 1250mm with integrated anti-twist protection
- rosette Ø 60 mm
- 1/2" connection
- This product reduces water consumption by % (compared to requirements of EPA Act '92)
- This product can contribute to Water Use Reduction in LEED® Green Building Rating
- This product can help a building meet the requirements of Green Building Rating Systems, e.g. LEED®, BREEAM®, DGNB

Intrinsic protection against back flow.

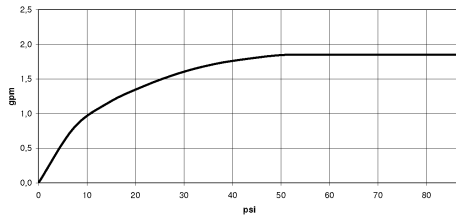
| | | |
|---|--------------------------------|--------------------|
|  | Light Gold | 27 802 660-26 0010 |
|  | Chrome | 27 802 660-00 0010 |
|  | Brushed Platinum | 27 802 660-06 0010 |
|  | Platinum | 27 802 660-08 0010 |
|  | Dark Chrome | 27 802 660-19 0010 |
|  | Brushed Light Gold | 27 802 660-27 0010 |
|  | Brushed Durabronze (23kt Gold) | 27 802 660-28 0010 |
|  | Matte Black | 27 802 660-33 0010 |
|  | Brushed Bronze | 27 802 660-42 0010 |
|  | Brushed Champagne (22kt Gold) | 27 802 660-46 0010 |
|  | Champagne (22kt Gold) | 27 802 660-47 0010 |
|  | Brushed Chrome | 27 802 660-93 0010 |
|  | Brushed Dark Platinum | 27 802 660-99 0010 |

27 802 660

mm [inches]



Flow rate chart



Codes & Standards

ASME
A112.18.1/CSA
B125.1

California Energy
Commission
(CEC)



Hand shower set with integrated shower holder FlowReduce - Light Gold

TARA

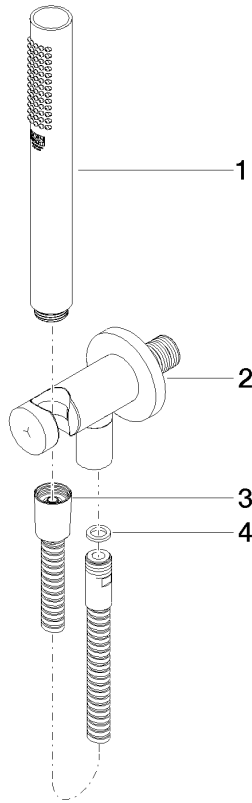
27 802 660

Certificates

LGA_29985.

27 802 660

Parts for other finishes can be found here: [Chrome](#)



Spare parts list

| No. | Item Number | Name | Quantity used | Delivery time |
|-----|--------------------|---|---------------|---------------|
| 1 | 90 12 11 140 30-26 | shower | 1 | 30 |
| 2 | 28 490 660-26 | Wall elbow with integrated shower holder - Light Gold | 1 | 30 |
| 3 | 90 30 02 072 00-26 | Metal shower hose 1/2" x 3/8" x 1250 mm - Light Gold | 1 | 30 |
| 4 | 90 14 20 026 00 90 | seal | 1 | 2 |