

**Hand shower set with integrated shower holder FlowReduce - Brushed Chrome**

TARA

27 802 660



Fits: TARA, VAIA, META

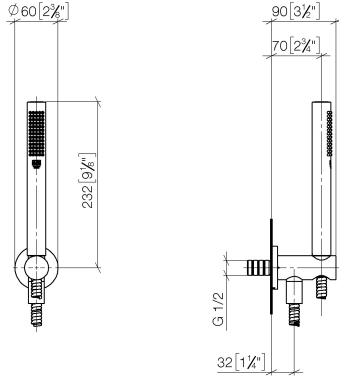
- COMPACT RAIN, max. flow rate 6.8 l/min (at 3 bar)
- with anti-scale system
- 3/8" shower outlet
- metal shower hose 1250mm with integrated anti-twist protection
- rosette Ø 60 mm
- 1/2" connection
- This product reduces water consumption by % (compared to requirements of EPAAct '92)
- This product can contribute to Water Use Reduction in LEED® Green Building Rating
- This product can help a building meet the requirements of Green Building Rating Systems, e.g. LEED®, BREEAM®, DGNB

Intrinsic protection against back flow.

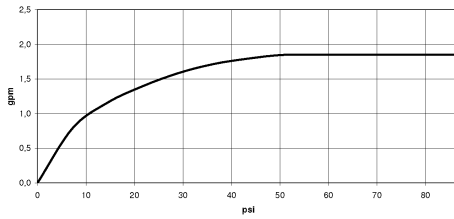
	Brushed Chrome	27 802 660-93 0010
	Chrome	27 802 660-00 0010
	Brushed Platinum	27 802 660-06 0010
	Platinum	27 802 660-08 0010
	Dark Chrome	27 802 660-19 0010
	Light Gold	27 802 660-26 0010
	Brushed Light Gold	27 802 660-27 0010
	Brushed Durabronze (23kt Gold)	27 802 660-28 0010
	Matte Black	27 802 660-33 0010
	Brushed Bronze	27 802 660-42 0010
	Brushed Champagne (22kt Gold)	27 802 660-46 0010
	Champagne (22kt Gold)	27 802 660-47 0010
	Brushed Dark Platinum	27 802 660-99 0010

27 802 660

mm [inches]



Flow rate chart



Codes & Standards

ASME  
A112.18.1/CSA  
B125.1

California Energy  
Commission  
(CEC)

DIN 4109

ISO 3822

Ü-Zeichen



## Hand shower set with integrated shower holder FlowReduce - Brushed Chrome

---

TARA

27 802 660

Certificates

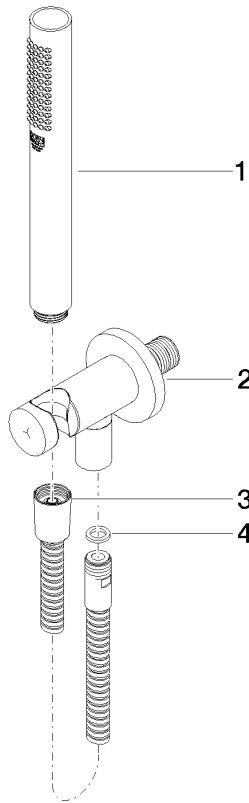
---

LGA\_29

27 802 660

**Product version from 10/1/2023**

Parts for other finishes can be found here: [Chrome](#)





Hand shower set with integrated shower holder FlowReduce - Brushed Chrome

TARA

27 802 660

**Spare parts list**

**Product version from 10/1/2023**

No.	Item Number	Name	Quantity used	Delivery time
	90 12 11 140 30-93	shower	4	20