

# Hand shower set with integrated shower holder FlowReduce - Brushed Durabronz (23kt Gold)

IMO

27 802 970



Fits: IMO, MEM, CL.1, CYO

- COMPACT RAIN, max. flow rate 6.8 l/min (at 3 bar)
  - with anti-scale system
  - 3/8" shower outlet
  - metal shower hose 1250mm with integrated anti-twist protection
  - rosette 60 x 60 mm
  - 1/2" connection
  - This product reduces water consumption by % (compared to requirements of EPAct '92)
  - This product can contribute to Water Use Reduction in LEED® Green Building Rating
  - This product can help a building meet the requirements of Green Building Rating Systems, e.g. LEED®, BREEAM®, DGNB
- Intrinsic protection against back flow.**

Intrinsic protection against back flow.

	Brushed Durabronz (23kt Gold)	27 802 970-28 0010
	Chrome	27 802 970-00 0010
	Brushed Platinum	27 802 970-06 0010
	Platinum	27 802 970-08 0010
	Dark Chrome	27 802 970-19 0010
	Brushed Light Gold	27 802 970-27 0010
	Matte Black	27 802 970-33 0010
	Brushed Champagne (22kt Gold)	27 802 970-46 0010
	Champagne (22kt Gold)	27 802 970-47 0010
	Brushed Chrome	27 802 970-93 0010
	Brushed Dark Platinum	27 802 970-99 0010

## Required miscellaneous

**Concealed adapter -**

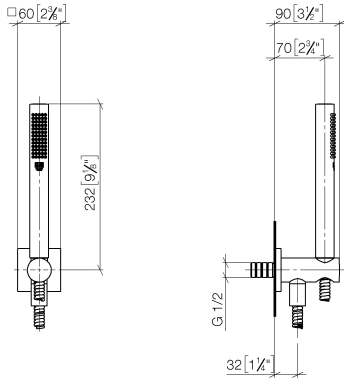
35 080 970-90 0010



Hand shower set with integrated shower holder FlowReduce - Brushed  
Durabronz (23kt Gold)

IMO

27 802 970  
mm [inches]



Codes & Standards

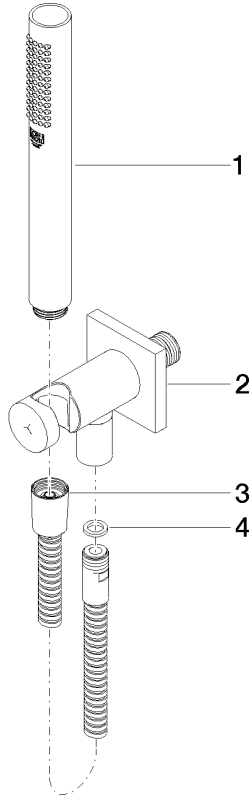
ASME  
A112.18.1/CSA  
B125.1

California Energy  
Commission  
(CEC)

Certificates

LGA\_29985.

27 802 970



Spare parts list

No.	Item Number	Name	Quantity used	Delivery time
1	90 12 11 140 30-28	shower	1	20
2	28 490 970-28	Wall elbow with integrated shower holder - Brushed Durabronz (23kt Gold)	1	20
3	90 30 02 072 00-28	Metal shower hose 1/2" x 3/8" x 1250 mm - Brushed Durabronz (23kt Gold)	1	20
4	90 14 20 026 00 90	seal	1	2