

Hand shower set with integrated shower holder FlowReduce - Brushed Dark Platinum

IMO

27 802 970



Fits: IMO, MEM, CL.1, CYO

- COMPACT RAIN, max. flow rate 6.8 l/min (at 3 bar)
 - with anti-scale system
 - 3/8" shower outlet
 - metal shower hose 1250mm with integrated anti-twist protection
 - rosette 60 x 60 mm
 - 1/2" connection
 - This product reduces water consumption by % (compared to requirements of EAct '92)
 - This product can contribute to Water Use Reduction in LEED® Green Building Rating
 - This product can help a building meet the requirements of Green Building Rating Systems, e.g. LEED®, BREEAM®, DGNB
- Intrinsic protection against back flow.**

Intrinsic protection against back flow.

	Brushed Dark Platinum	27 802 970-99 0010
	Chrome	27 802 970-00 0010
	Brushed Platinum	27 802 970-06 0010
	Platinum	27 802 970-08 0010
	Dark Chrome	27 802 970-19 0010
	Brushed Light Gold	27 802 970-27 0010
	Brushed Durabronze (23kt Gold)	27 802 970-28 0010
	Matte Black	27 802 970-33 0010
	Brushed Champagne (22kt Gold)	27 802 970-46 0010
	Champagne (22kt Gold)	27 802 970-47 0010
	Brushed Chrome	27 802 970-93 0010

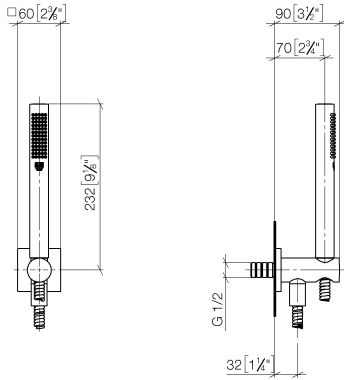
Required miscellaneous

Concealed adapter -

35 080 970-90
0010



27 802 970
mm [inches]



Codes & Standards

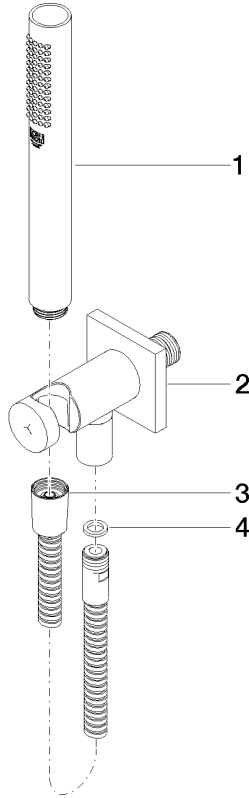
ASME
A112.18.1/CSA
B125.1

California Energy
Commission
(CEC)

Certificates

LGA_29985.

27 802 970



Spare parts list

No.	Item Number	Name	Quantity used	Delivery time
1	90 12 11 140 30-99	shower	1	30
2	28 490 970-99	Wall elbow with integrated shower holder - Brushed Dark Platinum	1	30
3	90 30 02 072 00-99	Metal shower hose 1/2" x 3/8" x 1250 mm - Brushed Dark Platinum	1	30
4	90 14 20 026 00 90	seal	1	2