

Hand shower set with individual rosettes with volume control FlowReduce - Chrome

IMO

27 809 980 Product version from 6/1/2024



Fits: IMO, MEM, CL.1, CYO

- COMPACT RAIN, max. flow rate 6.8 l/min (at 3 bar)
 - with volume control
 - with anti-scale system
 - 3/8" shower outlet
 - rosette for wall elbow 60 x 60mm
 - rosette for shower holder 60 x 60mm
 - metal shower hose 1250mm with integrated anti-twist protection
 - 1/2" wall elbow
 - This product reduces water consumption by 28% (compared to requirements of EPAct '92)
 - This product can contribute to Water Use Reduction in LEED® Green Building Rating
 - This product can help a building meet the requirements of Green Building Rating Systems, e.g. LEED®, BREEAM®, DGNB
- Intrinsic protection against back flow.**

Intrinsic protection against back flow.

Required miscellaneous

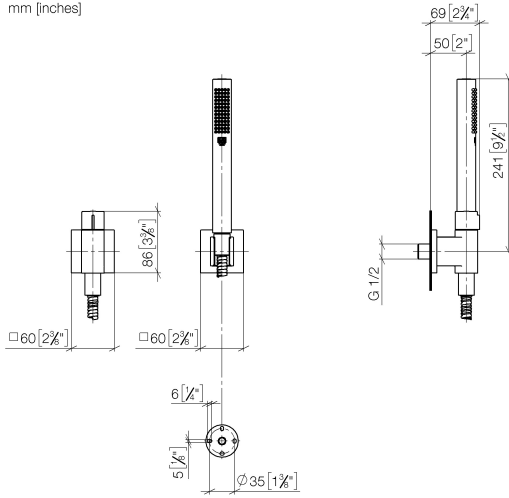


Concealed adapter -

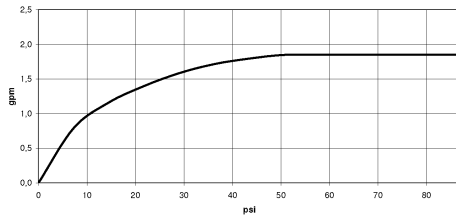
35 080 970-90
0010

Hand shower set with individual rosettes with volume control FlowReduce - Chrome

27 809 980 Product version from 6/1/2024
mm [inches]



Flow rate chart



Codes & Standards

ASME
A112.18.1/CSA
B125.1

California Energy
Commission
(CEC)

DIN 4109

ISO 3822

Ü-Zeichen



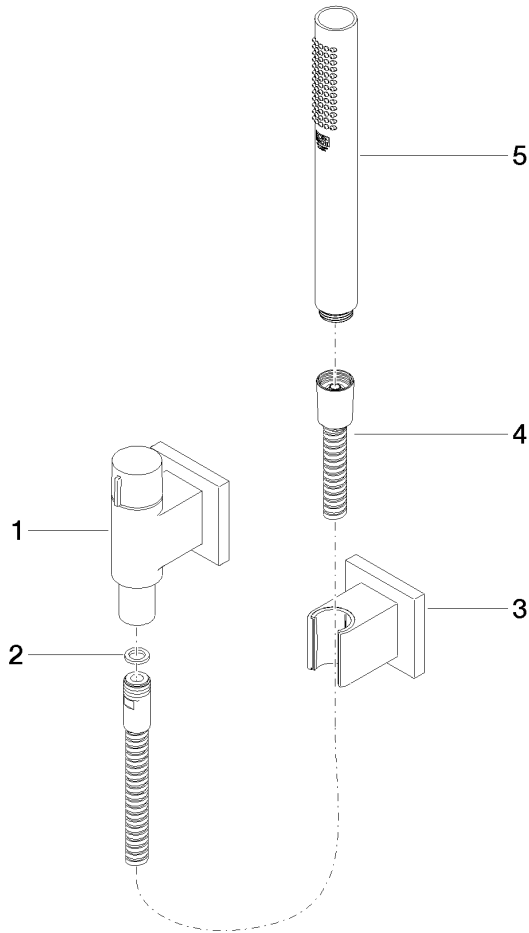
Hand shower set with individual rosettes with volume control FlowReduce - Chrome

IMO

27 809 980 Product version from 6/1/2024

Certificates

LGA_29



Spare parts list

No.	Item Number	Name	Quantity used	Delivery time
1	28 451 980-00	connection	1	60
2	90 14 20 026 00 90	seal	1	2
3	28 050 980-00	Wall bracket - Chrome	1	10
4	90 30 02 072 00-00	Metal shower hose 1/2" x 3/8" x 1250 mm - Chrome	1	10
5	90 12 11 140 41-00	shower	1	10