

**WATER TUBE Kneipp wall elbow with hose holder with individual rosettes -
Brushed Platinum**

LULU

27 820 979



Fits: LULU, MADISON, TARA, LISSÉ, VAIA, META

- LAMINAR FLOW, max. flow rate 15 l/min (at 3 bar)
- rosette Ø 70 mm
- holder for Kneipp hose
- 1/2" wall elbow
- without hose

Intrinsic protection against back flow.

Product change as of 1.4.2023: max. flow 15 l/min

Intrinsic protection against back flow.

Product change as of 1.4.2023: max. flow 15 l/min

	Brushed Platinum	27 820 979-06
	Chrome	27 820 979-00
	Platinum	27 820 979-08
	Dark Chrome	27 820 979-19
	Brushed Durabronze (23kt Gold)	27 820 979-28
	Matte Black	27 820 979-33
	Brushed Bronze	27 820 979-42
	Brushed Champagne (22kt Gold)	27 820 979-46
	Champagne (22kt Gold)	27 820 979-47
	Brushed Chrome	27 820 979-93
	Brushed Dark Platinum	27 820 979-99

Required miscellaneous

Concealed adapter - 35 080 970-90
0010



Required miscellaneous

WATER TUBE Kneipp hose white 2000 mm - Brushed Platinum 28 285 979-06
●with holding ring
●hose nozzle with sleeve M33



Required miscellaneous

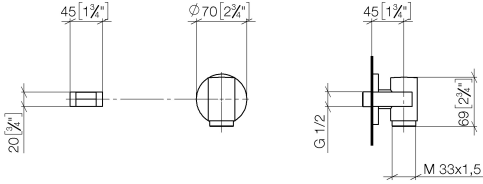
WATER TUBE Kneipp hose black 2000 mm - Brushed Platinum 28 286 979-06
●with holding ring
●hose nozzle with sleeve M33



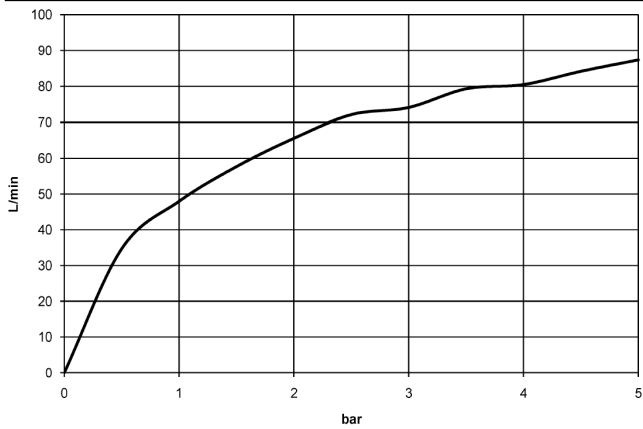
**WATER TUBE Kneipp wall elbow with hose holder with individual rosettes -
Brushed Platinum**

LULU

27 820 979
mm [inches]



Flow rate chart



Codes & Standards

EN 1717



**WATER TUBE Kneipp wall elbow with hose holder with individual rosettes -
Brushed Platinum**

LULU

27 820 979

Certificates

Belgaqua_21-381-2

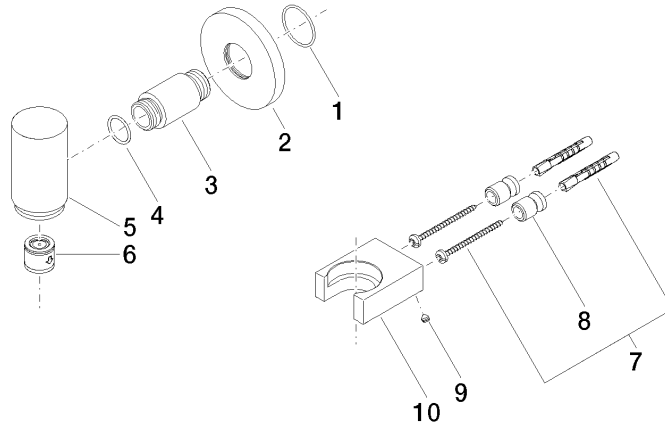
WATER TUBE Kneipp wall elbow with hose holder with individual rosettes -
Brushed Platinum

LULU

27 820 979

Product version up to 3/12/2018

Product version from 3/12/2018





WATER TUBE Kneipp wall elbow with hose holder with individual rosettes -
Brushed Platinum

LULU

27 820 979

Spare parts list

Product version up to 3/12/2018

Product version from 3/12/2018

No.	Item Number	Name	Quantity used	Delivery time
	09 14 10 135 90	seal	10	2