

27 858 979



Fits: IMO, MEM, CL.1, CYO

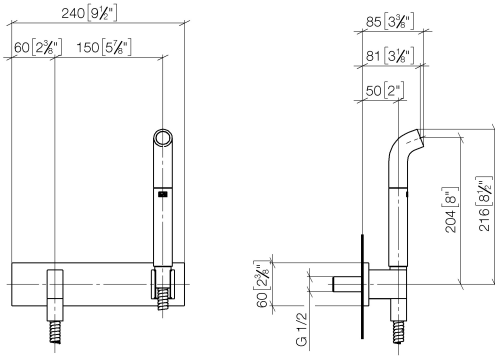
- laminar flow
- 3/8" shower outlet
- cover plate 240 x 60 mm
- metal shower hose 1250mm with integrated anti-twist protection
- 1/2" connection
- plug-link mounting
- max. flow 7 l/min
- This product can help a building meet the requirements of Green Building Rating Systems, e.g. LEED®, BREEAM®, DGNB

Intrinsic protection against back flow.

	Brushed Dark Platinum	27 858 979-99
	Chrome	27 858 979-00
	Brushed Platinum	27 858 979-06
	Platinum	27 858 979-08
	Dark Chrome	27 858 979-19
	Brushed Light Gold	27 858 979-27
	Brushed Durabronze (23kt Gold)	27 858 979-28
	Matte Black	27 858 979-33
	Brushed Champagne (22kt Gold)	27 858 979-46
	Champagne (22kt Gold)	27 858 979-47
	Brushed Chrome	27 858 979-93

27 858 979

mm [inches]



Codes & Standards

DIN 4109

EN 1717

ISO 3822

Ü-Zeichen

Certificates

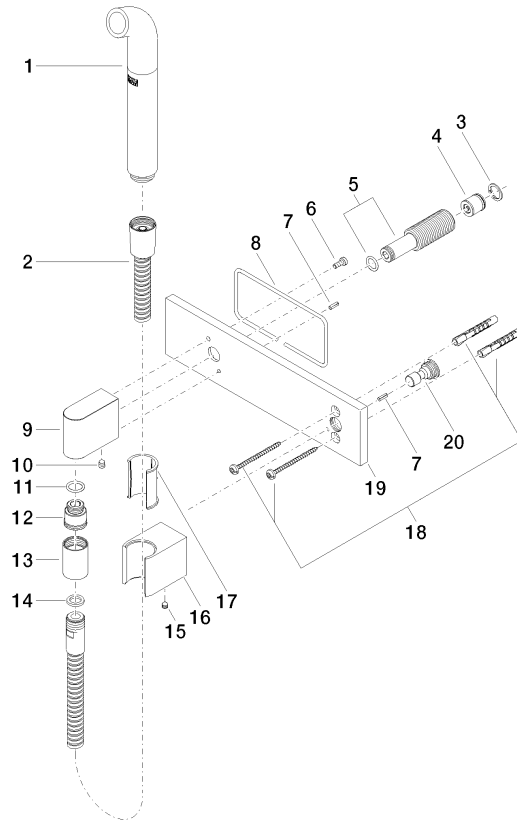
LGA\_38

Belgaqua\_24-007-2

27 858 979

**Product version from 4/1/2024**

Parts for other finishes can be found here: [Chrome](#)





Affusion pipe with cover plate FlowReduce - Brushed Dark Platinum

IMO

27 858 979

**Spare parts list**

**Product version from 4/1/2024**

No.	Item Number	Name	Quantity used	Delivery time
	04 12 11 073 01-99	spout	21	30