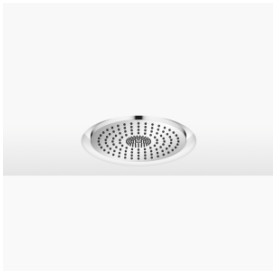


28 034 970 Product version from 5/1/2022



Fits: TARA, LISSÉ, VAIA, META

- rain shower Ø 300 mm
- PURE RAIN, max. flow rate 6.8 l/min (at 3 bar)
- PURIFY RAIN, max. flow rate 6 l/min (at 3 bar)
- min. recess depth 137 mm
- with anti-scale system

**Ceiling module power supply**

- 12V DC (CV)

**Spot lighting**

- LED coloured light RGBW
- Bulbs protected against splashing water

**Ambient lighting**

- LED coloured light RGBW
- Bulbs protected against splashing water

**Activation**

- ZigBee Light Link RGBW controller
- Provided by customer: Zigbee gateway

**Environment**

- Not suitable for outdoor use.
- Not suitable for use in a steam room.
- Not suitable for use in chlorinated or salty environments.
- Comply with the protection zone regulations as defined in DIN VDE 0100, Part 701 (IEC 60364-7-701).
- Dornbracht recommends consulting a systems integrator.

**Three-way diverter trim is sold separately**

**Pre-assembly kit for three-way diverter included includes light bulbs with a Class G energy efficiency**

Three-way diverter trim is sold separately

Pre-assembly kit for three-way diverter included

includes light bulbs with a Class G energy efficiency

	Chrome	28 034 970-00 0010
	Brushed Platinum	28 034 970-06 0010
	Platinum	28 034 970-08 0010
	Dark Chrome	28 034 970-19 0010
	Light Gold	28 034 970-26 0010
	Brushed Light Gold	28 034 970-27 0010
	Brushed Durabronze (23kt Gold)	28 034 970-28 0010
	Matte Black	28 034 970-33 0010
	Brushed Bronze	28 034 970-42 0010
	Brushed Champagne (22kt Gold)	28 034 970-46 0010
	Champagne (22kt Gold)	28 034 970-47 0010
	Brushed Chrome	28 034 970-93 0010
	Brushed Dark Platinum	28 034 970-99 0010

**Required miscellaneous**

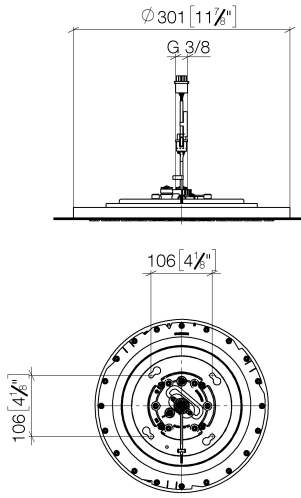


**Concealed ceiling installation box for recessed ceiling installation with light -** 35 034 970-90 0010

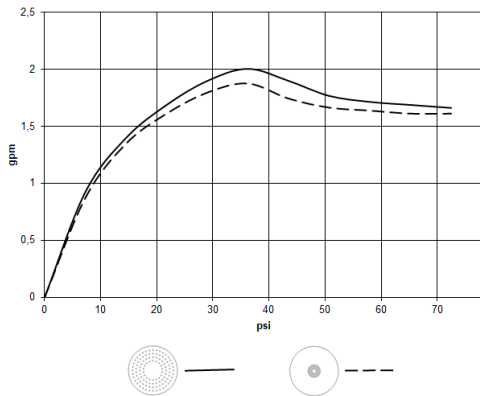
- To be provided by the customer. Zigbee Gateway!
- recess depth mm
- Pre-assembly kit for three-way diverter included

28 034 970 Product version from 5/1/2022

mm [inches]

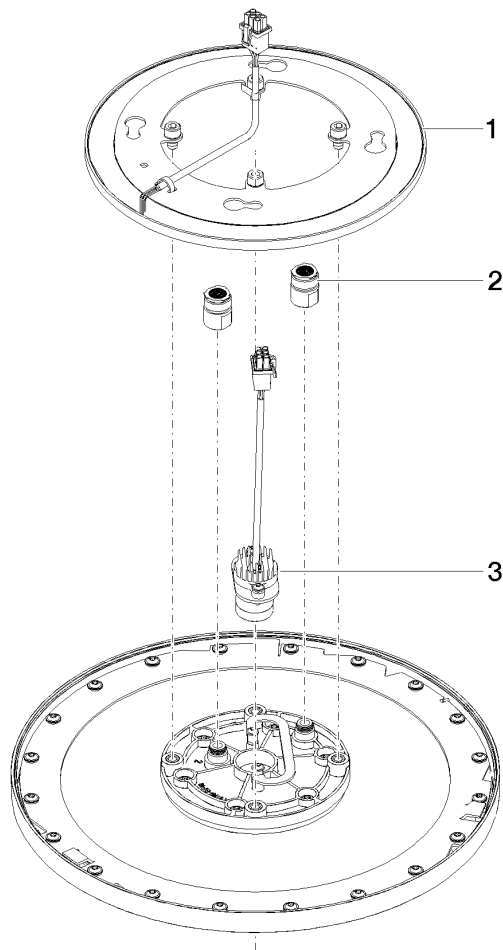


**Flow rate chart**



**Codes & Standards**

California Energy Commission (CEC) Water Sense



Spare parts list

No.	Item Number	Name	Quantity used	Delivery time
1	90 10 01 221 00 90	electronic accessories	1	2
2	90 24 03 309 02 90	connection	1	2
3	90 10 01 225 00 90	electronic accessories	1	2